



T&S BRASS AND BRONZE WORKS, INC.
 2 Saddleback Cove / P.O. Box 1088
 Travelers Rest, SC 29690

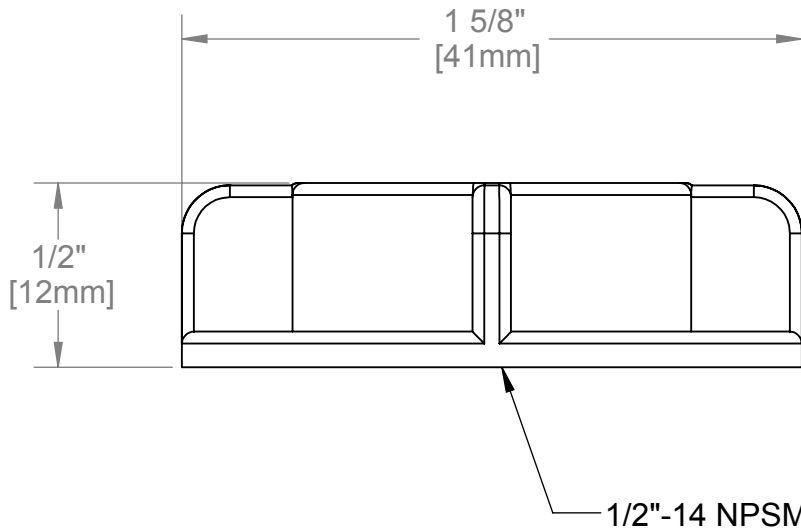
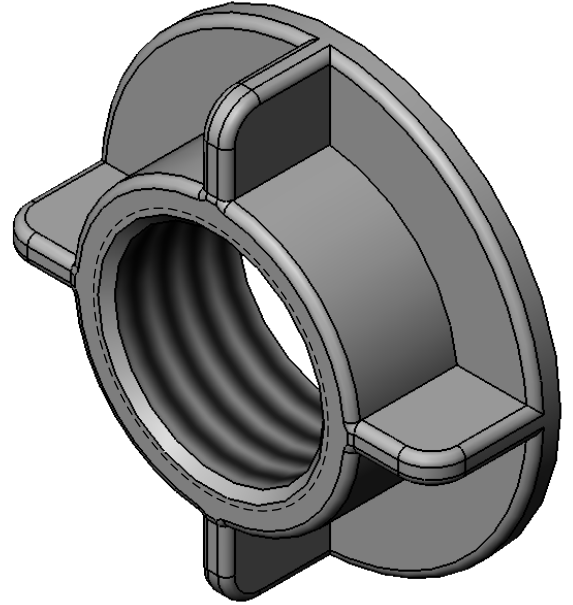


REG. #A2601
 ISO #9001

Model No.
016673-45

Item No.

Travelers Rest, SC: 800-476-4103 Simi Valley, CA: 800-423-0150 Fax: 864-834-3518 www.tsbrass.com



MATERIAL: PLASTIC

Product Specifications:
Shank Nut

Drawn
ARH

Checked
DHL

Approved
JHB

Scale:

2:1

Date:

01/22/08