

T&S BRASS AND BRONZE WORKS, INC.
 2 SADDLEBACK COVE / P.O. BOX 1088 / TRAVELERS REST, SC 29690
 PHONE 800-476-4103 - FAX 864- 834-3518



Sales No.

016094-40

**RELIABILITY
 BUILT IN**

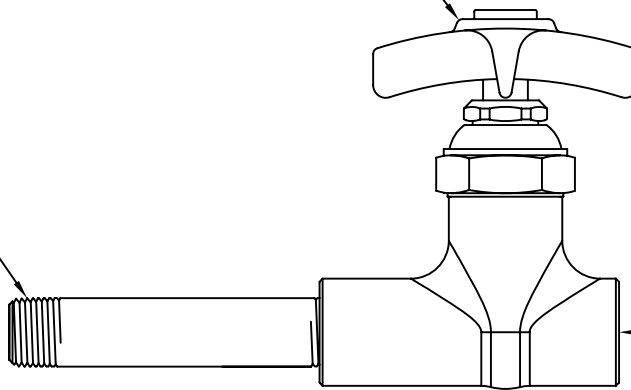
Job Name:

Architect/Engineer Approval:

Notes:

4-Arm Handle w/
 Color Coded Index

3/8" NPT
 Male Thread



3/8" NPT
 Female Thread

Product Description:

Straight Stop w/ 4-Arm Handle & Nipple

Drawn:

DHL

Checked

ARH

Scale:

1:4

Approved

JHB

Date:

6/19/08