



T&S BRASS AND BRONZE WORKS, INC.
 2 Saddleback Cove / P.O. Box 1088
 Travelers Rest, SC 29690

Model No.
015809-40

Item No.

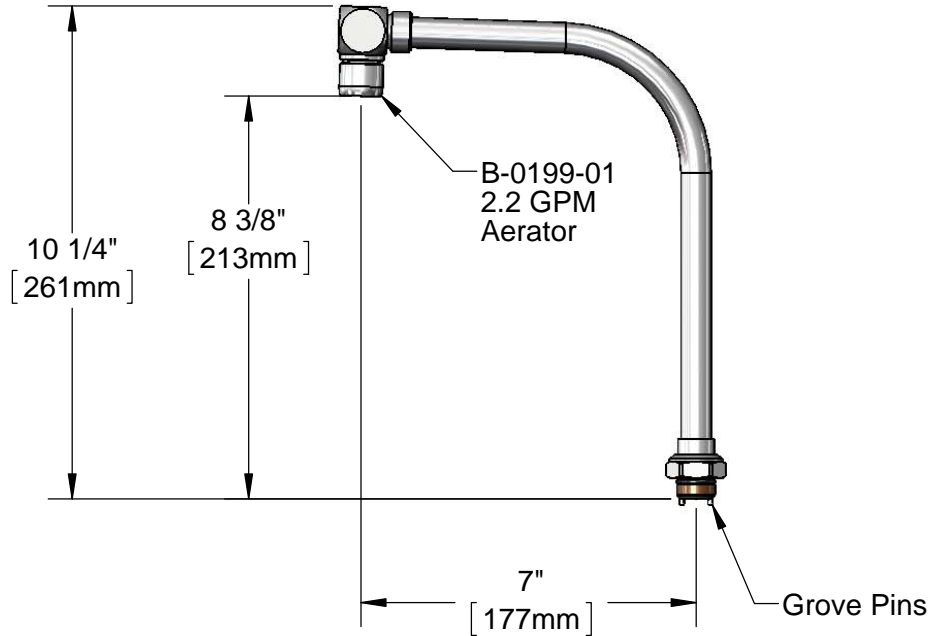
Travelers Rest, SC: 800-476-4103 • Simi Valley, CA: 800-423-0150 • Fax: 864-834-3518 • www.tsbrass.com

This Space for Architect/Engineer Approval

Job Name _____ Date _____
 Model Specified _____ Quantity _____
 Customer/Wholesaler _____
 Contractor _____
 Architect/Engineer _____



Swing Joint
w/ Restricted
Swivel piece



Product Specifications:
 Restricted Swing Nozzle

Drawn DHL	Checked KJG	Approved JHB
Scale: 1:4		Date: 01/31/14



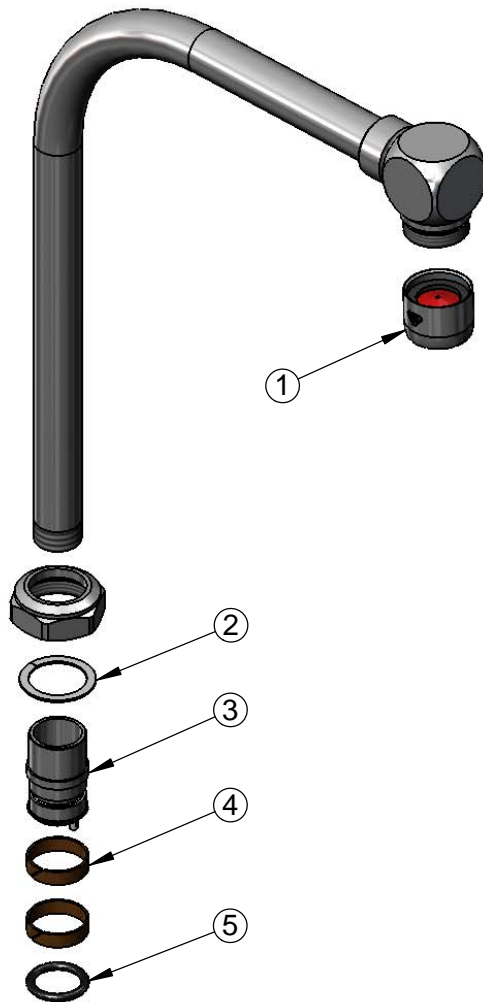
T&S BRASS AND BRONZE WORKS, INC.
 2 Saddleback Cove / P.O. Box 1088
 Travelers Rest, SC 29690

Model No.
015809-40

Item No.

Travelers Rest, SC: 800-476-4103 • Simi Valley, CA: 800-423-0150 • Fax: 864-834-3518 • www.tsbrass.com

ITEM NO.	SALES NO.	DESCRIPTION
1	B-0199-01	2.2 GPM Aerator, 55/64"-27 UN Female
2	009538-45	Swivel Washer
3	65-016-01	Swivel Piece w/ Restrictor Pins
4	011429-45	Swivel Sleeves (2)
5	001074-45	O-Ring



Product Specifications:
 Restricted Swing Nozzle

Drawn DHL	Checked KJG	Approved JHB
Scale: NTS		Date: 01/31/14