



T&S BRASS AND BRONZE WORKS, INC.

2 Saddleback Cove / P.O. Box 1088
Travelers Rest, SC 29690



REG. #A2601
ISO #9001

Model No.

015345-20

Item No.

Travelers Rest, SC: 800-476-4103 Simi Valley, CA: 800-423-0150 Fax: 864-834-3518 www.tsbrass.com

This Space for Architect/Engineer Approval

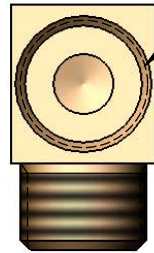
Job Name _____ Date _____

Model Specified _____ Quantity _____

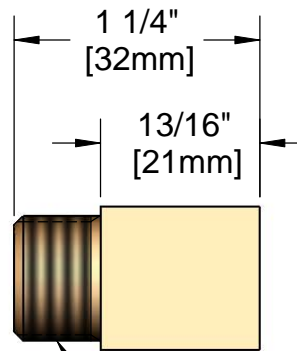
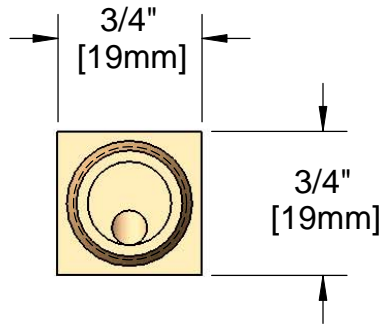
Customer/Wholesaler _____

Contractor _____

Architect/Engineer _____



3/8-18 NPSM
Female Thread



3/8-18 NPSM
Male Thread

Product Specifications:

3/8-18 NPSM Elbow (Unplated Brass)

Drawn

DHL

Checked

JRM

Approved

JHB

Scale:

1:4

Date:

7/10/2009