



**T&S BRASS AND BRONZE WORKS, INC.**  
 2 SADDLEBACK COVE / P.O. BOX 1088 / TRAVELERS REST, SC 29690  
 PHONE 800-476-4103 - FAX 864- 834-3518



Sales No.

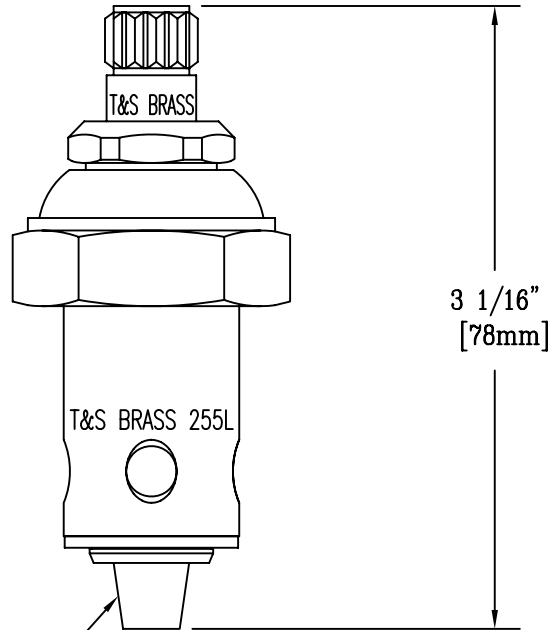
015178-40

**RELIABILITY  
 BUILT IN**

Job Name:

Architect/Engineer Approval:

Notes:



0.7 GPM Flow Control

Product Description:

RH Eterna Cartridge  
 w/ 0.7 GPM Flow Control

Drawn:

DHL

Checked

MAV

Scale:

1:1

Approved

JHB

Date:

12/01/07