



T&S BRASS AND BRONZE WORKS, INC.

2 Saddleback Cove / P.O. Box 1088
Travelers Rest, SC 29690

Model No.

015068-40

Item No.

Travelers Rest, SC: 800-476-4103 • Simi Valley, CA: 800-423-0150 • Fax: 864-834-3518 • www.tsbrass.com



ADA Compliant

This Space for Architect/Engineer Approval

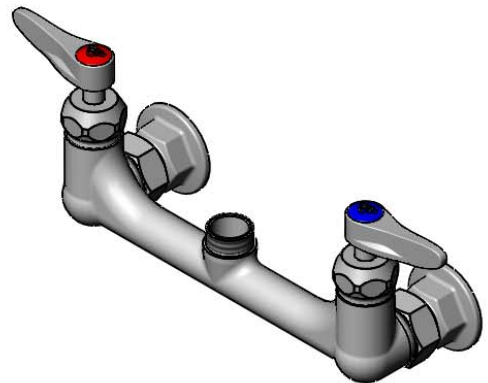
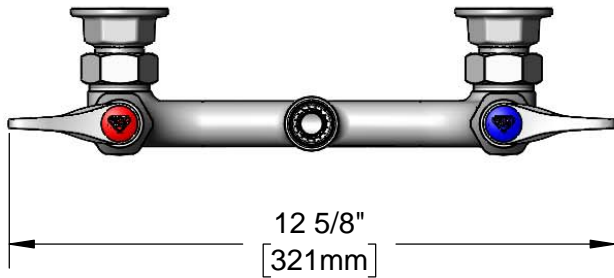
Job Name _____ Date _____

Model Specified _____ Quantity _____

Customer/Wholesaler _____

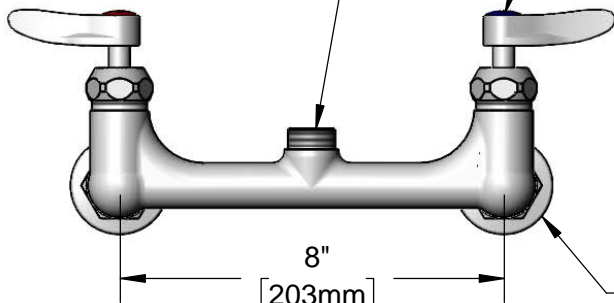
Contractor _____

Architect/Engineer _____



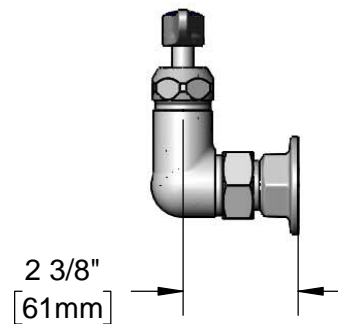
Swivel Outlet Accepts
Standard T&S Swing Nozzles
and EasyInstall Risers.
Converts to Rigid w/ 014200-45
Lock Washer (Included).

Quarter-Turn Cerama
Cartridges w/ Check Valves &
Lever Handles w/ Color
Coded Indexes



Adjustable From
7 3/4" to 8 1/4"
[197mm to 210mm]

Ø 2" [51mm]
Flanges w/
1/2" NPT
Female Inlets



Product Specifications:

Pre-Rinse Unit: 8" Wall Mount EasyInstall Mixing Faucet, Quarter-Turn Cerama Cartridges w/ Check Valves, Lever Handles & 1/2" NPT Female Inlets

Product Compliance:

ASME A112.18.1 / CSA B125.1
NSF 61 - Section 9
NSF 372 (Low Lead Content)
ANSI A117.1 (ADA)



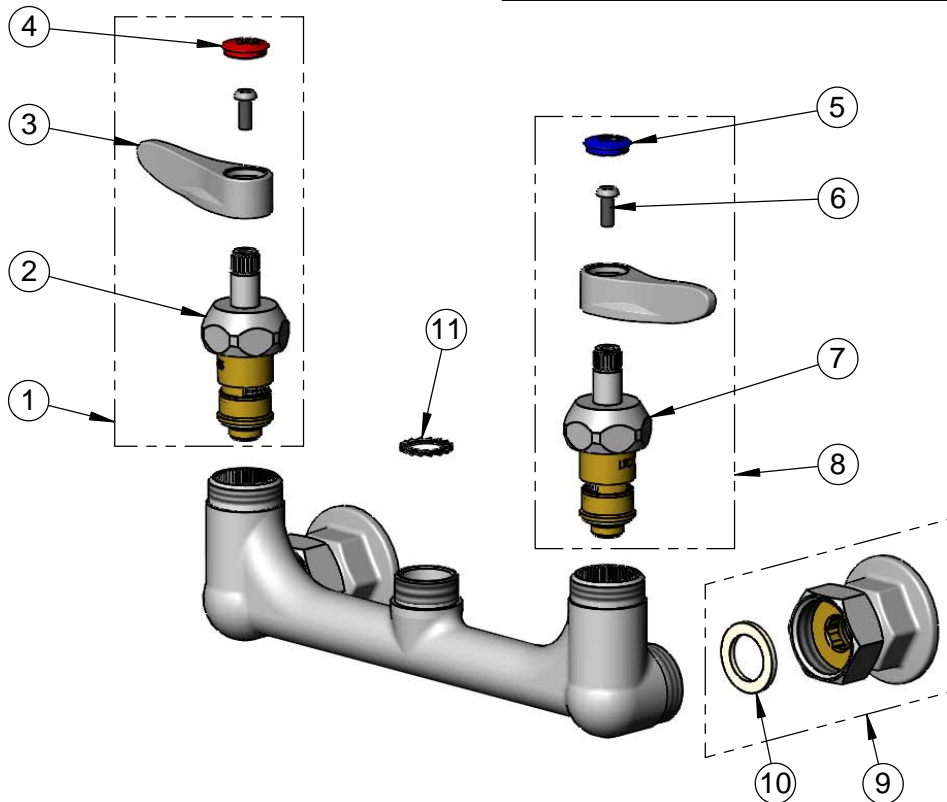
T&S BRASS AND BRONZE WORKS, INC.
 2 Saddleback Cove / P.O. Box 1088
 Travelers Rest, SC 29690

Model No.
015068-40

Item No.

Travelers Rest, SC: 800-476-4103 • Simi Valley, CA: 800-423-0150 • Fax: 864-834-3518 • www.tsbrass.com

ITEM NO.	SALES NO.	DESCRIPTION
1	012446-25NS	Quarter-Turn Cerama Cartridge w/ Check Valve, Handle, Red Index & Screw, RTC
2	012394-25NS	Quarter-Turn Cerama Cartridge w/ Check Valve, RTC
3	001638-45NS	Lever Handle (New Style)
4	001193-19NS	Red Button Index, Press-in
5	018506-19NS	Blue Button Index, Press-in
6	000925-45	Lab Handle Screw
7	012395-25NS	Quarter-Turn Cerama Cartridge w/ Check Valve, LTC
8	012447-25NS	Quarter-Turn Cerama Cartridge w/ Check Valve, Handle, Blue Index & Screw, LTC
9	00AA	1/2" NPT Female Eccentric Flange
10	001019-45	Coupling Nut Washer
11	014200-45	Star Washer, Anti-Rotation



Product Specifications:
 Pre-Rinse Unit: 8" Wall Mount EasyInstall Mixing Faucet, Quarter-Turn Cerama Cartridges w/ Check Valves, Lever Handles & 1/2" NPT Female Inlets

Product Compliance:
 ASME A112.18.1 / CSA B125.1
 NSF 61 - Section 9
 NSF 372 (Low Lead Content)
 ANSI A117.1 (ADA)