



# T&S BRASS AND BRONZE WORKS, INC.

2 Saddleback Cove / P.O. Box 1088  
Travelers Rest, SC 29690



REG. #A2601  
ISO #9001

Model No.  
**010594-40**

Item No.

Travelers Rest, SC: 800-476-4103 Simi Valley, CA: 800-423-0150 Fax: 864-834-3518 www.tsbrass.com

This Space for Architect/Engineer Approval

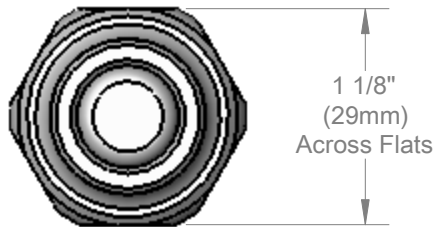
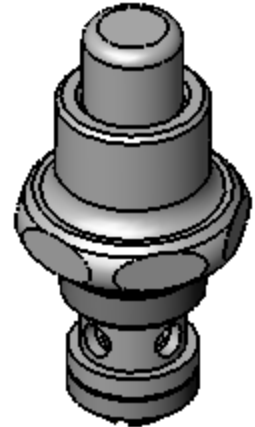
Job Name \_\_\_\_\_ Date \_\_\_\_\_

Model Specified \_\_\_\_\_ Quantity \_\_\_\_\_

Customer/Wholesaler \_\_\_\_\_

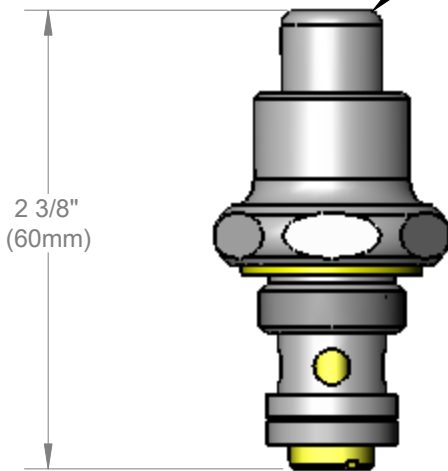
Contractor \_\_\_\_\_

Architect/Engineer \_\_\_\_\_



1 1/8"  
(29mm)  
Across Flats

Brass Push Button



2 3/8"  
(60mm)



Product Specifications:  
**European 008A Bonnet Asm.**

Drawn  
WJS

Checked  
JHB

Approved  
04/07/06

Scale:

1:1

Date:

JHB



**T&S BRASS AND BRONZE WORKS, INC.**

2 Saddleback Cove / P.O. Box 1088  
Travelers Rest, SC 29690

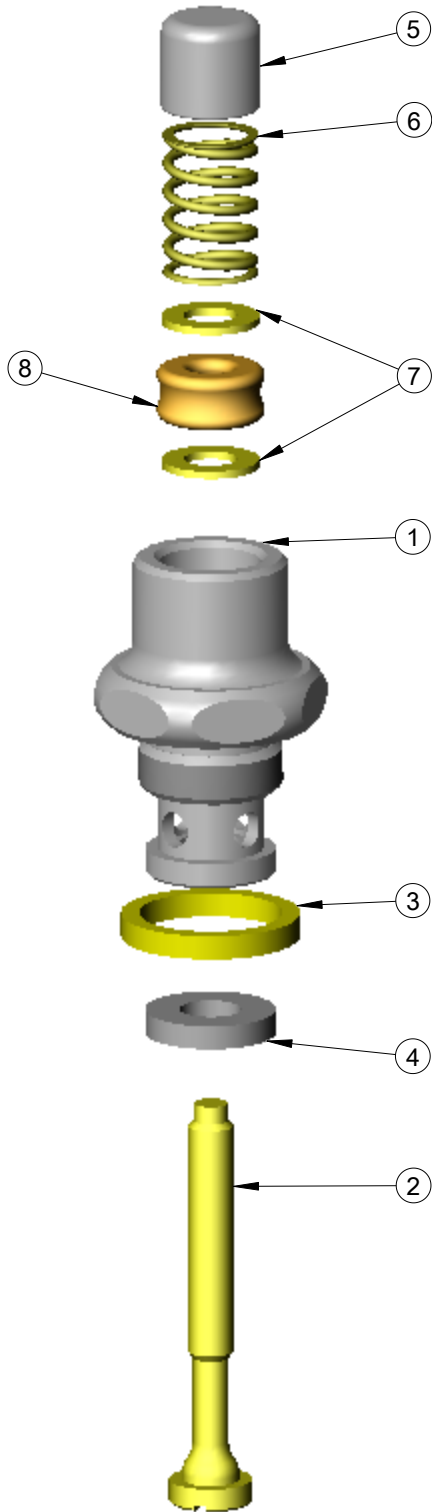


REG. #A2601  
ISO #9001

Model No.  
**010594-40**

Item No.

Travelers Rest, SC: 800-476-4103 Simi Valley, CA: 800-423-0150 Fax: 864-834-3518 www.tsbrass.com



ITEM NO.	SALES NO.	DESCRIPTION
1	000608-25	B-107 Bonnet
2	009306-20	Valve Stem
3	010565-45	Binding Washer
4	010563-45	Seat Washer
5	000753-25	Push Button
6	000895-25	Spring
7	000974-45	B-107 Bonnet Washer
8	014615-45	Quad Seal

Product Specifications:  
European 008A Bonnet Asm.

Drawn WJS	Checked JHB	Approved 04/07/06
Scale: 1:1		Date: JHB