



T&S BRASS AND BRONZE WORKS, INC.
 2 Saddleback Cove / P.O. Box 1088
 Travelers Rest, SC 29690

Model No.
010255-40

Item No.

Travelers Rest, SC: 800-476-4103 • Simi Valley, CA: 800-423-0150 • Fax: 864-834-3518 • www.tsbrass.com

This Space for Architect/Engineer Approval

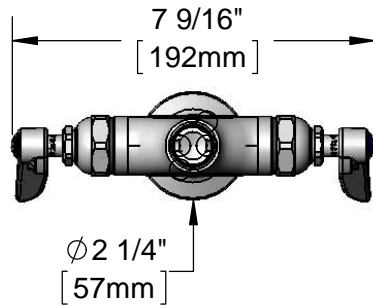
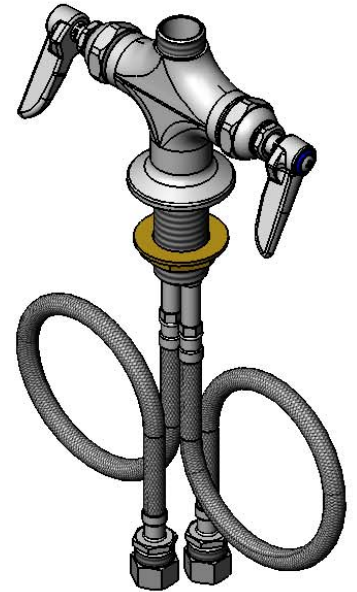
Job Name _____ Date _____

Model Specified _____ Quantity _____

Customer/Wholesaler _____

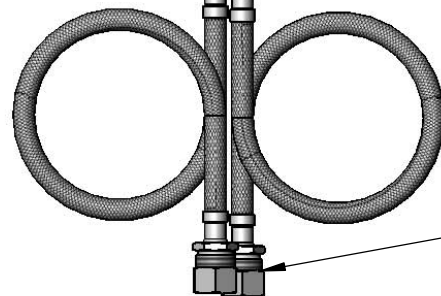
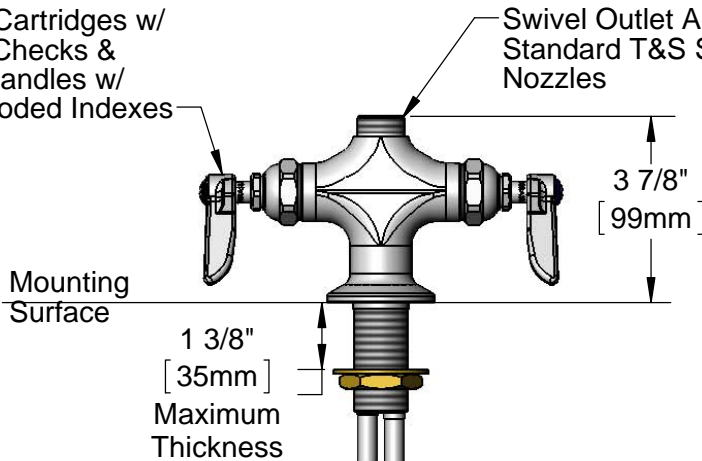
Contractor _____

Architect/Engineer _____



Eterna Cartridges w/
 Spring Checks &
 Lever Handles w/
 Color Coded Indexes

Swivel Outlet Accepts
 Standard T&S Swing
 Nozzles



18" Flexible
 Stainless Steel
 Supply Hoses

Compression Fittings
 for 5/8" O.D. Copper Tubing
 (Remove Compression Nut
 for 1/2" NPSM Male)

Rough-In Requirement:
 ϕ 1 1/2" [38mm] Mounting Hole

Product Specifications:
 Single Hole Deck Mount Mixing Faucet, Eterna Cartridges w/
 Spring Checks, Lever Handles & 18" Flexible Stainless Steel
 Supply Hoses w/ 1/2" NPSM Male Inlets, Less Nozzle

Drawn JRM	Checked DHL	Approved JHB
Scale: 1:4		Date: 06/05/15