

T&S BRASS AND BRONZE WORKS, INC.

2 SADDLEBACK COVE / P.O. BOX 1088 / TRAVELERS REST, SC 29690

PHONE 800-476-4103

FAX 864- 834-3518



REG.#A2601
ISO #9002

Sales No.

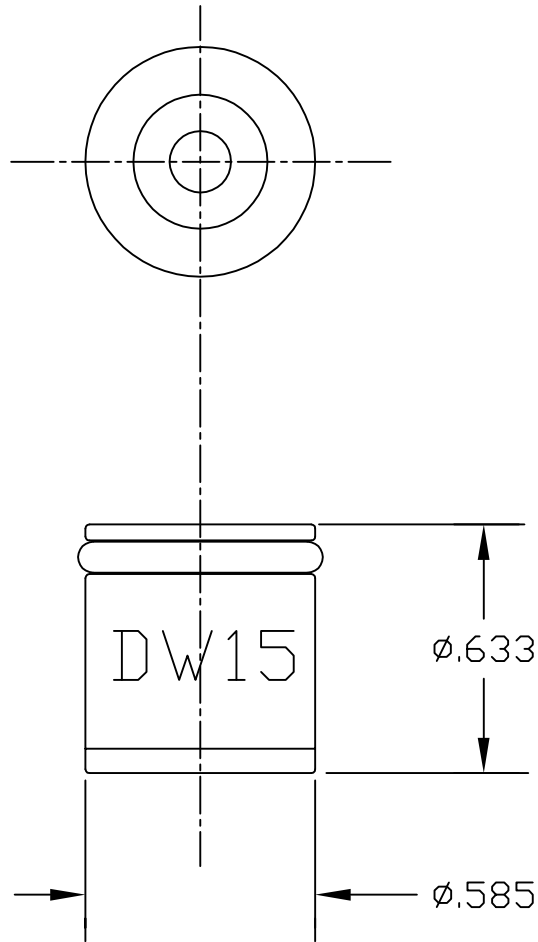
010239-40

Item No.:

Job Name:

Architect/Engineer Approval:

Notes:



Product Description:

15mm CHECK VALVE — BACKFLOW
PREVENTER, DVGW/NSF/KIWA APPROVED

Drawn:

MVW

Checked

JKD

Scale:

2:1

Approved

MVW

Date:

11/5/99