



T&S BRASS AND BRONZE WORKS, INC.

2 Saddleback Cove / P.O. Box 1088
Travelers Rest, SC 29690

Model No.

009556-40

Item No.

Travelers Rest, SC: 800-476-4103 • Simi Valley, CA: 800-423-0150 • Fax: 864-834-3518 • www.tsbrass.com

This Space for Architect/Engineer Approval

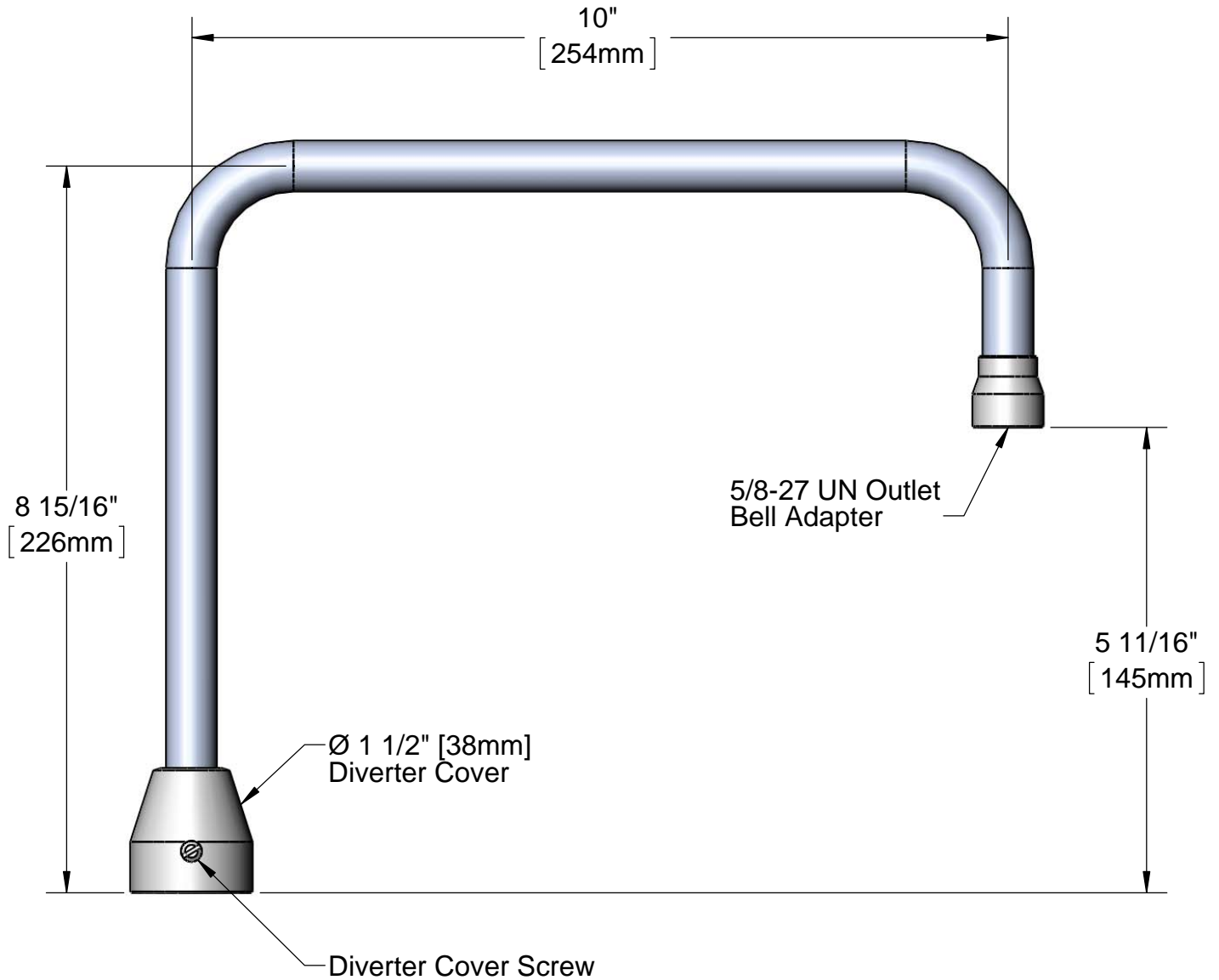
Job Name _____ Date _____

Model Specified _____ Quantity _____

Customer/Wholesaler _____

Contractor _____

Architect/Engineer _____



Product Specifications:
B-2346 Swivel Gooseneck w/ Diverter Cover & Bell Adapter
(Less Vacuum Breaker)

Drawn

DHL

Checked

KJG

Approved

JHB

Scale:

1:2

Date:

01/05/12



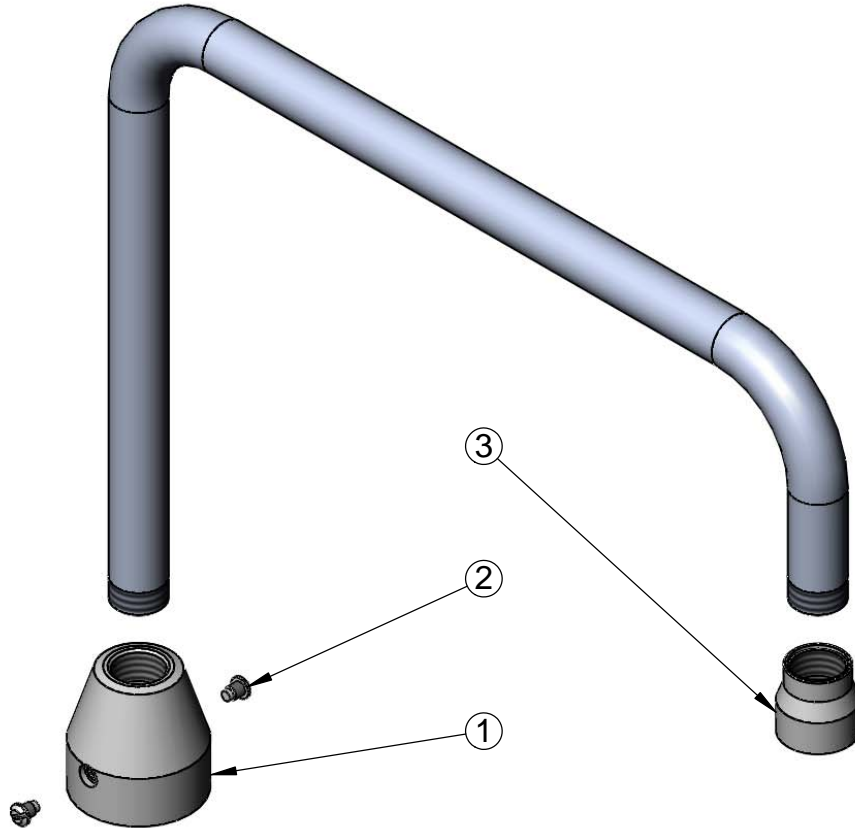
T&S BRASS AND BRONZE WORKS, INC.
 2 Saddleback Cove / P.O. Box 1088
 Travelers Rest, SC 29690

Model No.
009556-40

Item No.

Travelers Rest, SC: 800-476-4103 • Simi Valley, CA: 800-423-0150 • Fax: 864-834-3518 • www.tsbrass.com

ITEM NO.	SALES NO.	DESCRIPTION
1	001485-40	Diverter Cover
2	001486-45	Diverter Cover Screw
3	000557-25	Adapter Bell, 5/8-27 X 3/8



Product Specifications:
 B-2346 Swivel Gooseneck w/ Diverter Cover & Bell Adapter
 (Less Vacuum Breaker)

Drawn DHL	Checked KJG	Approved JHB
Scale: NTS		Date: 01/05/12