



**T&S BRASS AND BRONZE WORKS, INC.**  
 2 SADDLEBACK COVE / P.O. BOX 1088 / TRAVELERS REST, SC 29690  
 PHONE 800-476-4103 - FAX 864- 834-3518



REG. #A2601  
 ISO #9001

Sales No.

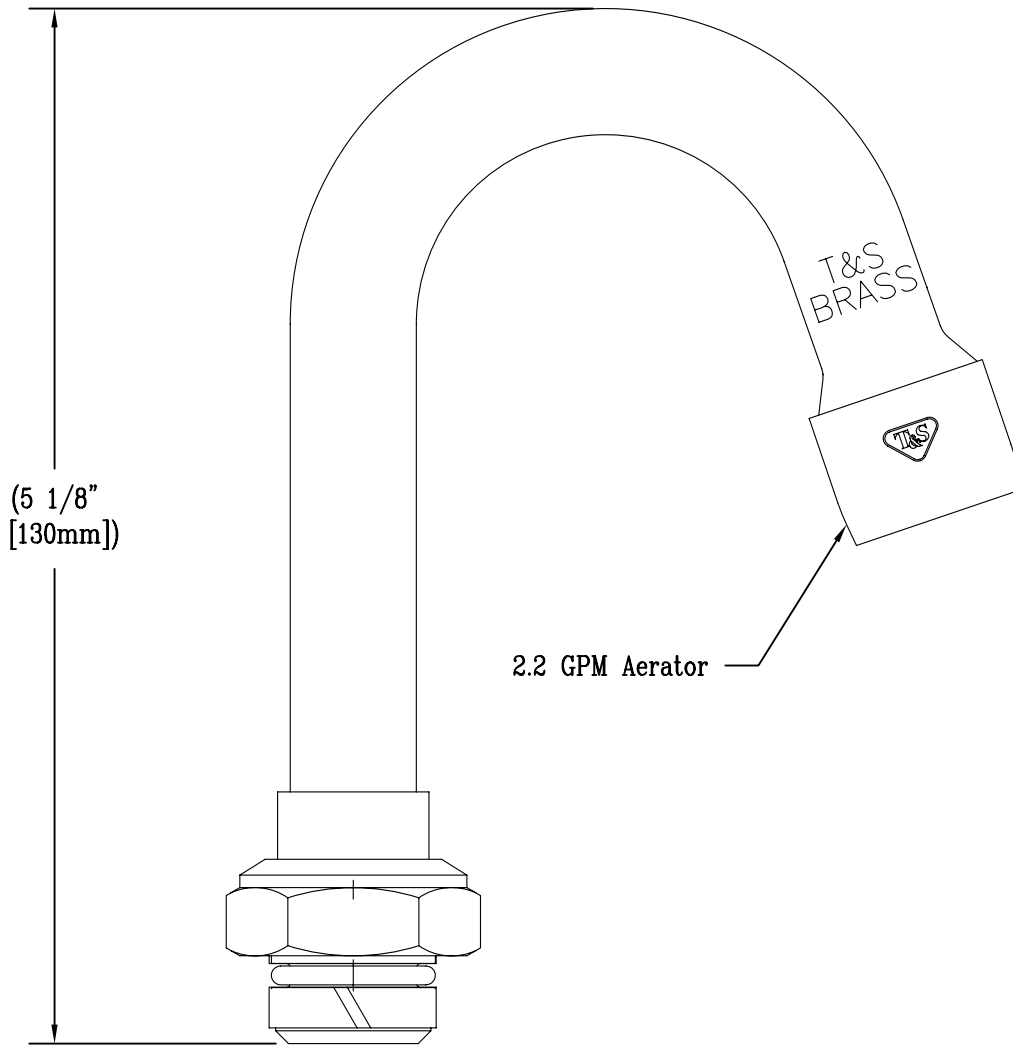
008978-40

**RELIABILITY  
 BUILT IN**

Job Name:

Architect/Engineer Approval:

Notes:



Product Description:

Swivel Gooseneck w/ 2.2 GPM Aerator

Drawn:

DHL

Checked

MAV

Scale:

1 : 1

Approved

JHB

Date:

7/2/07