

T&S BRASS AND BRONZE WORKS, INC.

2 SADDLEBACK COVE / P.O. BOX 1088 / TRAVELERS REST, SC 29690

PHONE 800-476-4103

FAX 864- 834-3518



REG.#A2601
ISO #9002

Model No.

007265-40

Item No.:

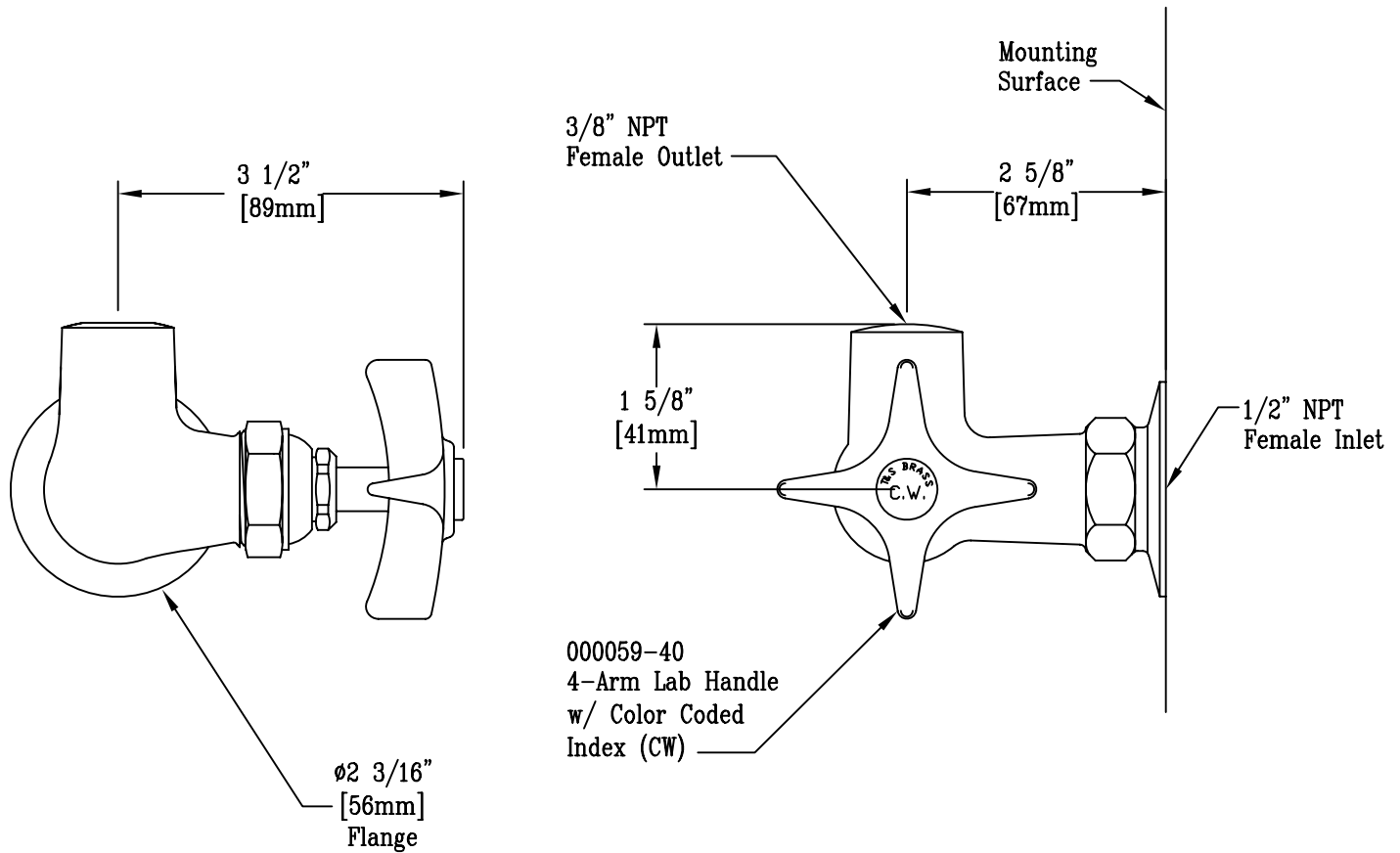
Job Name:

Architect/Engineer Approval:

Notes:



ADA COMPLIANT



Product Description:

Wall Mounted Single Base Faucet w/ 4-Arm Lab Handle & 1/2" NPT Female Inlet (Rigid)

Drawn:

KJG

Checked

DHL

Scale:

1:2

Approved

JHB

Date:

07/23/09