



# T&S BRASS AND BRONZE WORKS, INC.

2 Saddleback Cove / P.O. Box 1088  
Travelers Rest, SC 29690

Model No.

**007257-40**

Item No.

Travelers Rest, SC: 800-476-4103 • Simi Valley, CA: 800-423-0150 • Fax: 864-834-3518 • www.tsbrass.com



**ADA Compliant**

This Space for Architect/Engineer Approval

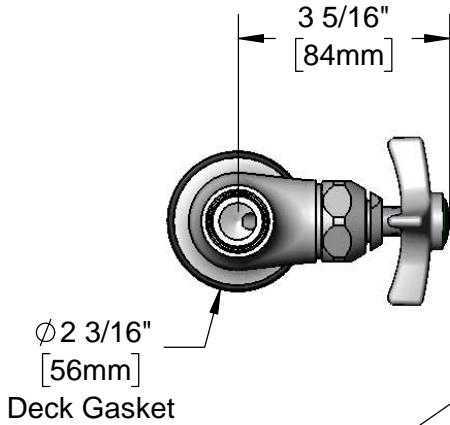
Job Name \_\_\_\_\_ Date \_\_\_\_\_

Model Specified \_\_\_\_\_ Quantity \_\_\_\_\_

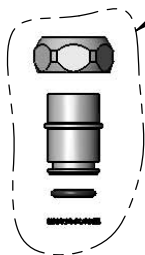
Customer/Wholesaler \_\_\_\_\_

Contractor \_\_\_\_\_

Architect/Engineer \_\_\_\_\_

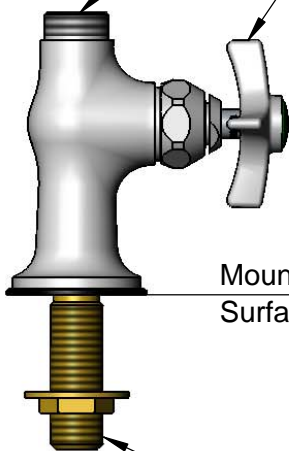


EZ-K  
EasyInstall Kit  
Converts Rigid Risers &  
Nozzles For Use with  
Swivel Outlet (Included)



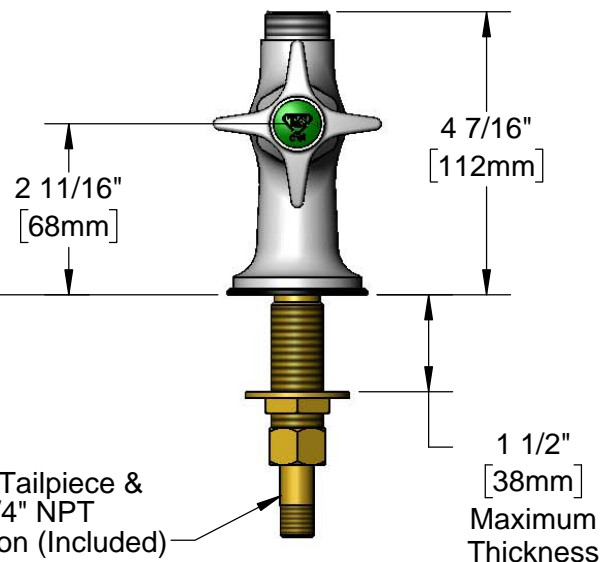
Swivel Outlet Accepts  
Standard T&S Swing Nozzles  
and EasyInstall Risers.

Quarter-Turn Eterna  
Cartridge w/ Spring  
Check & 4-Arm Handle  
w/ Color Coded Index



Mounting  
Surface

1/2" NPSM Male Inlet



150A  
Optional Tailpiece &  
Nut for 1/4" NPT  
Connection (Included)

Rough-In Requirement:  
 $\phi 1$ " [25mm] Mounting Hole

**Product Specifications:**

Single Hole, Single Temperature Deck Mount Mixing Faucet, Less Gooseneck, Quarter-Turn Eterna Cartridge w/ Spring Check, 4-Arm Handle & 1/2" NPSM Male Inlet

**Product Compliance:**

ASME A112.18.1 / CSA B125.1  
NSF 61 - Section 9  
NSF 372 (Low Lead Content)



# T&S BRASS AND BRONZE WORKS, INC.

2 Saddleback Cove / P.O. Box 1088  
Travelers Rest, SC 29690

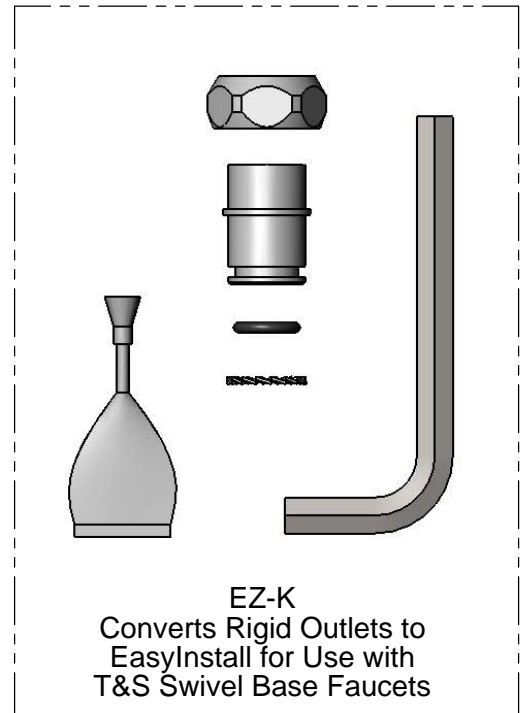
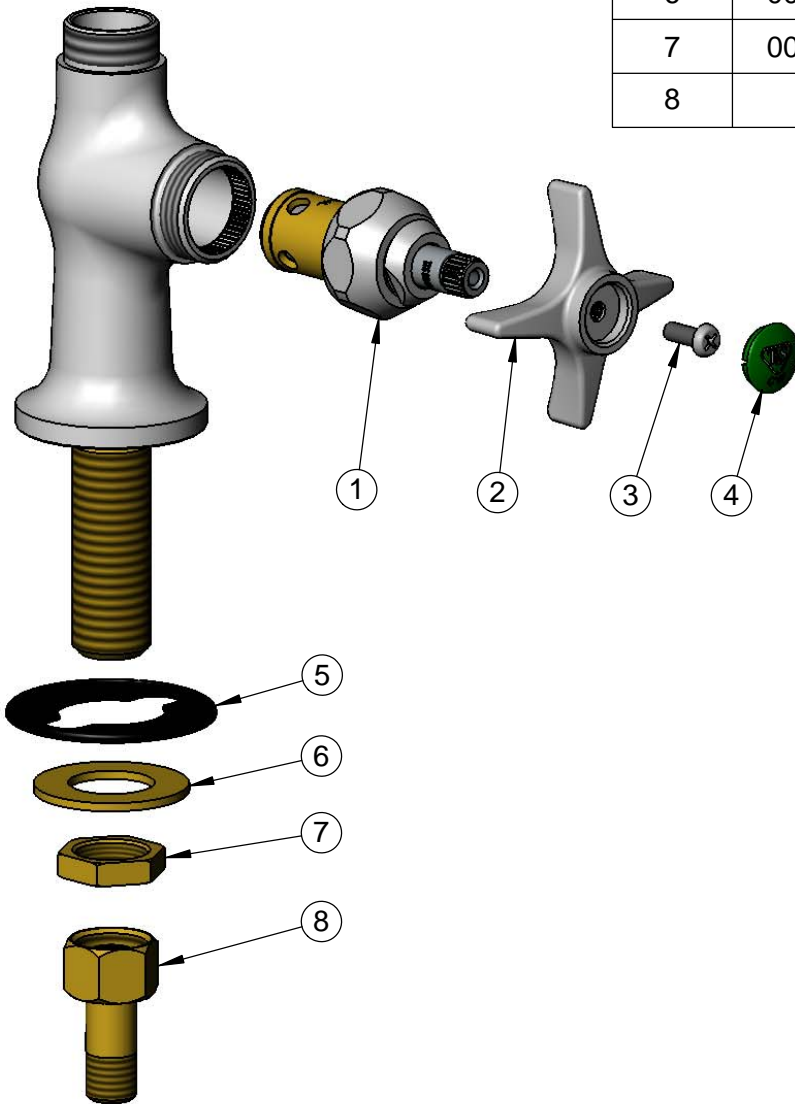
Model No.

**007257-40**

Item No.

Travelers Rest, SC: 800-476-4103 • Simi Valley, CA: 800-423-0150 • Fax: 864-834-3518 • www.tsbrass.com

ITEM NO.	SALES NO.	DESCRIPTION
1	012443-40NS	Quarter-Turn Eterna Cartridge w/ Spring Check, RTC
2	000059-40	4-Arm Lab Handle
3	000925-45	Lab Handle Screw
4	001191-45NS	Green "CW" Lab Button Index
5	144L	Black Plastic Gasket
6	000999-45	Brass Lock Washer
7	002954-45	Shank Lock Nut
8	150A	1/4" NPT Tailpiece & Nut



**Product Specifications:**

Single Hole, Single Temperature Deck Mount Mixing Faucet, Less Gooseneck, Quarter-Turn Eterna Cartridge w/ Spring Check, 4-Arm Handle & 1/2" NPSM Male Inlet

**Product Compliance:**

ASME A112.18.1 / CSA B125.1  
NSF 61 - Section 9  
NSF 372 (Low Lead Content)