



T&S BRASS AND BRONZE WORKS, INC.  
 2 SADDLEBACK COVE / P.O. BOX 1088 / TRAVELERS REST, SC 29690  
 PHONE 800-476-4103 - FAX 864- 834-3518



Sales No.

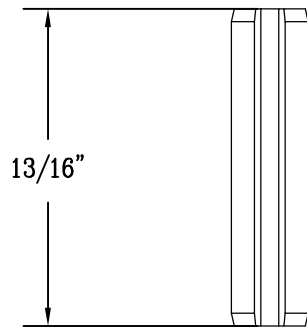
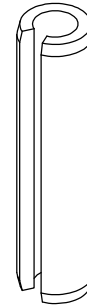
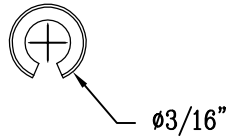
006211-45

RELIABILITY  
 BUILT IN

Job Name:

Architect/Engineer Approval:

Notes:



Finish: Stainless Steel

Product Description:

Pin,  $3/16''$  x  $13/16''$  Roll

Drawn:

DHL

Checked

MAV

Scale:

2:1

Approved

JHB

Date:

03-08-07