

T&S BRASS AND BRONZE WORKS, INC.
 2 SADDLEBACK COVE / P.O. BOX 1088 / TRAVELERS REST, SC 29690
 PHONE 800-476-4103 - FAX 864- 834-3518

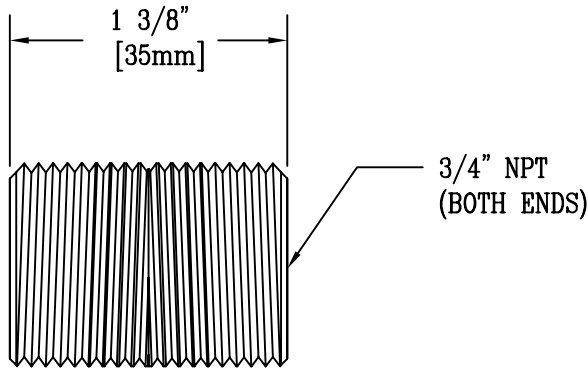


Sales No.
 004741-25
**RELIABILITY
 BUILT IN**

Job Name:

Architect/Engineer Approval:

Notes:



Finish: Chrome Plated

Product Description:
 3/4" Close Nipple

Drawn:
 DHL
 Approved
 JHB

Checked
 MAV

Scale:
 1:1
 Date:
 06/11/07