

T&S BRASS AND BRONZE WORKS, INC.
 2 SADDLEBACK COVE / P.O. BOX 1088 / TRAVELERS REST, SC 29690
 PHONE 800-476-4103 - FAX 864- 834-3518



Sales No.

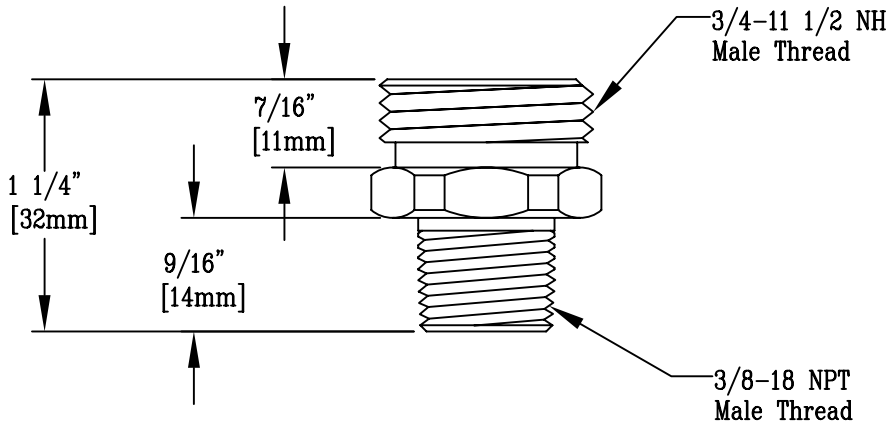
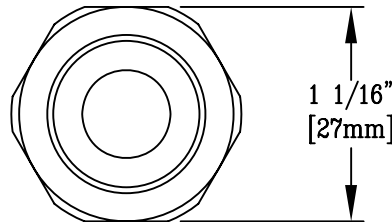
004712-25

**RELIABILITY
BUILT IN**

Job Name:

Architect/Engineer Approval:

Notes:



Finish: Chrome Plated

Product Description:
 3/8" NPT Male Thread x 3/4" GH Male Adapter
 (Chrome Plated)

Drawn: KJG	Checked DHL	Scale: 1:1
Approved JHB		Date: 08/24/09