



**T&S BRASS AND BRONZE WORKS, INC.**  
 2 SADDLEBACK COVE / P.O. BOX 1088 / TRAVELERS REST, SC 29690  
 PHONE 800-476-4103 - FAX 864- 834-3518



Sales No.

003105-40

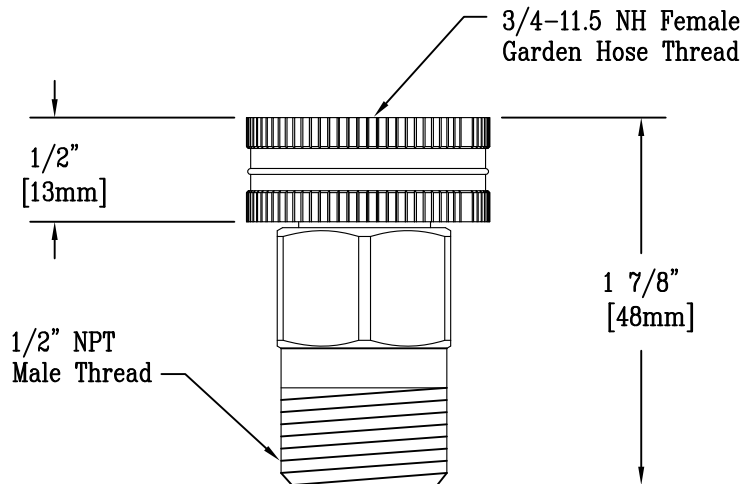
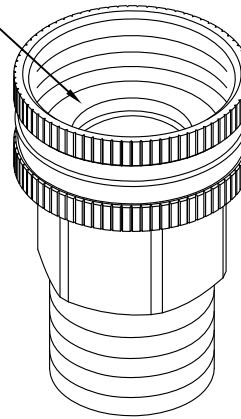
**RELIABILITY  
 BUILT IN**

Job Name:

Architect/Engineer Approval:

Notes:

Furnished w/  
 GH Washer



Product Description:

Adapter Assembly:  
 1/2" NPT Male x 3/4" GH Female

Drawn:

DHL

Checked

JRM

Scale:

1:1

Approved

JHB

Date:

07-02-10