



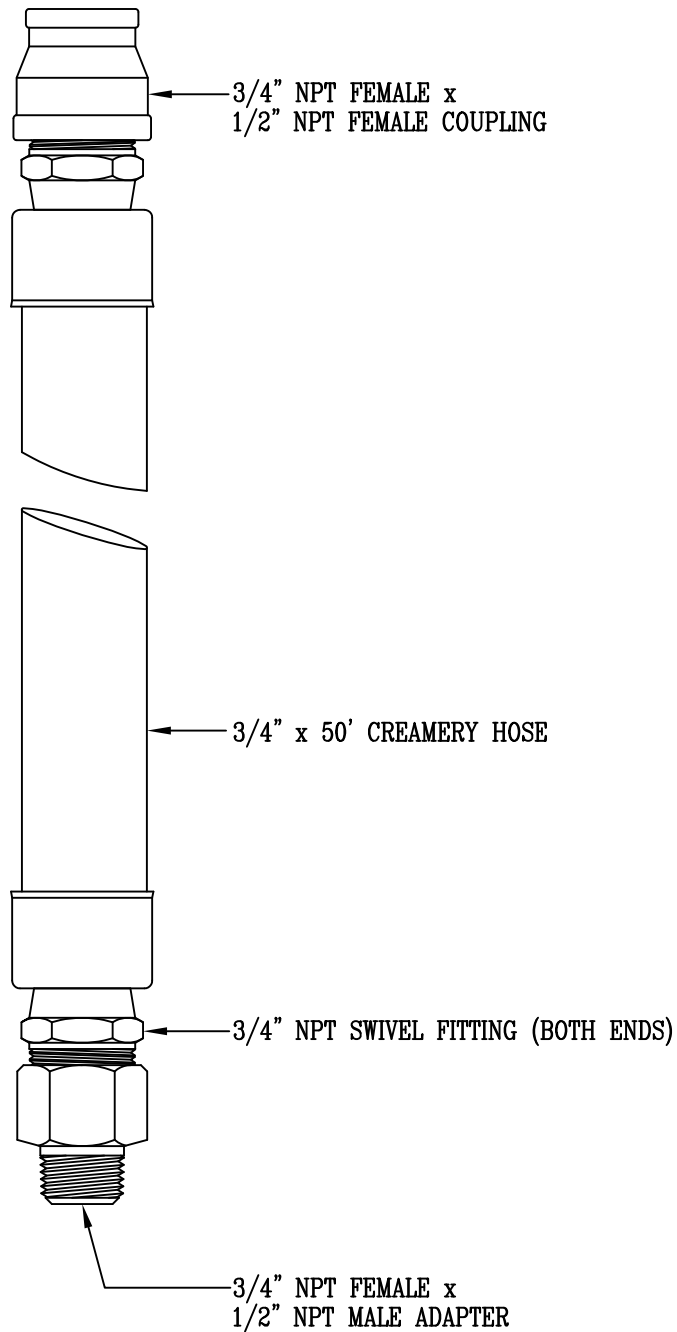
T&S BRASS AND BRONZE WORKS, INC.
 2 SADDLEBACK COVE / P.O. BOX 1088 / TRAVELERS REST, SC 29690
 PHONE 800-476-4103 FAX 803- 834-3518



Model No.
 002969-40
 Item No.:

Job Name: _____ Architect/Engineer Approval: _____

Notes:



Product Description: 3/4" x 50' CREAMERY HOSE ASSEMBLY w/ 1/2" NPT ADPATERS (INCLUDED-BOTH ENDS)	Drawn: WJS	Checked MWR	Scale: NONE
	Approved CA	Date: 12-19-95	