



T&S BRASS AND BRONZE WORKS, INC.

2 Saddleback Cove / P.O. Box 1088
Travelers Rest, SC 29690



REG. #A2601
ISO #9001

Model No.
002957-25

Item No.

Travelers Rest, SC: 800-476-4103 Simi Valley, CA: 800-423-0150 Fax: 864-834-3518 www.tsbrass.com

This Space for Architect/Engineer Approval

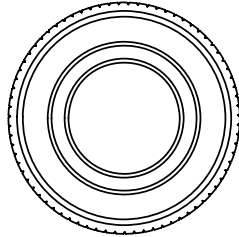
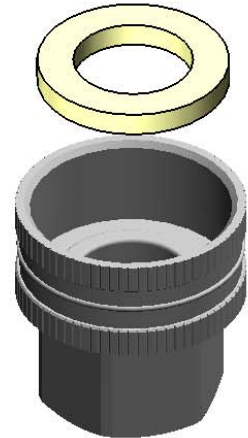
Job Name _____ Date _____

Model Specified _____ Quantity _____

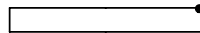
Customer/Wholesaler _____

Contractor _____

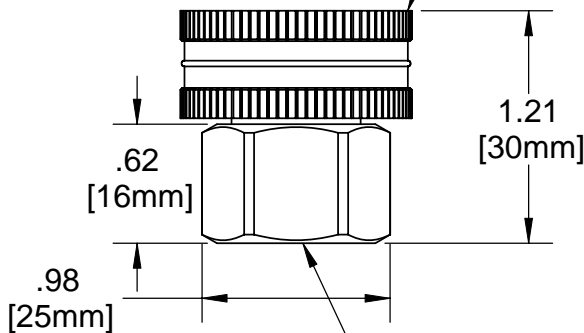
Architect/Engineer _____



Hose Washer Included



3/4-11 1/2 GH Female Thread



1/2-14 NPT Female Thread

Product Specifications:

**Adapter, 1/2" NPT Female x 3/4" GH Female
Chrome Plated w/ Washer**

Drawn
JRM

Checked
DMH

Approved
JHB

Scale:

1:1

Date:

04/30/10