



T&S BRASS AND BRONZE WORKS, INC.
 2 Saddleback Cove / P.O. Box 1088
 Travelers Rest, SC 29690

Model No.
002855-40

Item No.

Travelers Rest, SC: 800-476-4103 • Simi Valley, CA: 800-423-0150 • Fax: 864-834-3518 • www.tsbrass.com

This Space for Architect/Engineer Approval

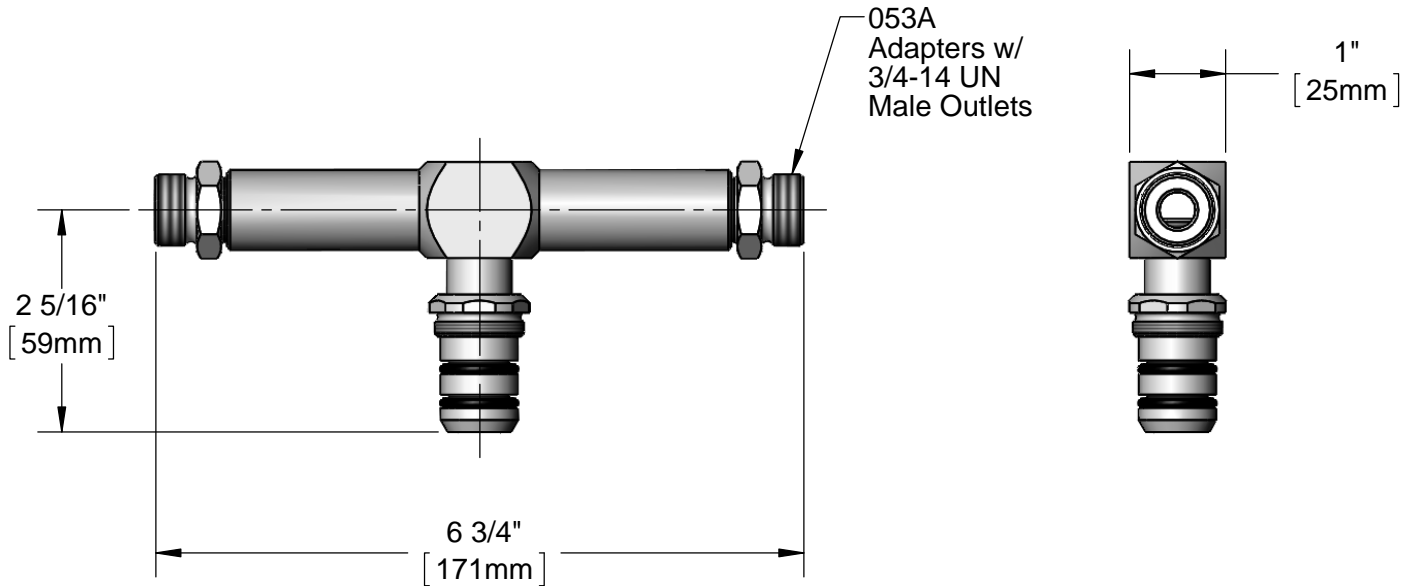
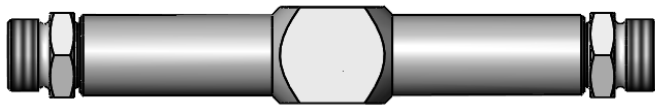
Job Name _____ Date _____

Model Specified _____ Quantity _____

Customer/Wholesaler _____

Contractor _____

Architect/Engineer _____



Product Specifications:
Swivel Tee Assembly

Drawn DMH	Checked JRM	Approved JHB
Scale: 1:2		Date: 12/19/13



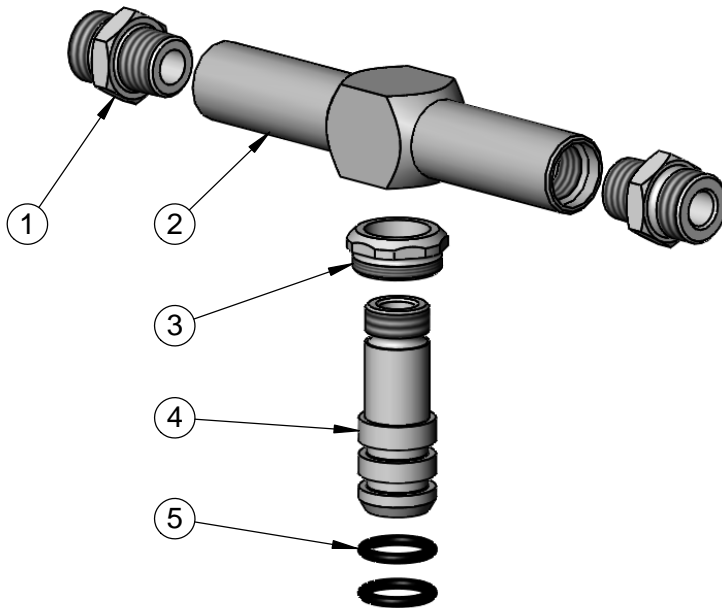
T&S BRASS AND BRONZE WORKS, INC.
 2 Saddleback Cove / P.O. Box 1088
 Travelers Rest, SC 29690

Model No.
002855-40

Item No.

Travelers Rest, SC: 800-476-4103 • Simi Valley, CA: 800-423-0150 • Fax: 864-834-3518 • www.tsbrass.com

ITEM NO.	SALES NO.	DESCRIPTION
1	053A	Adapter, 3/8" NPT Male
2	B-2331-TEE	Swivel Tee, Kettle Kaddy
3	000735-40	Swivel Nut
4	000839-25	Swivel Stem, 3/8 NPT
5	001074-45	O-Ring



Product Specifications:
 Swivel Tee Assembly

Drawn DMH	Checked JRM	Approved JHB
Scale: NTS		Date: 12/19/13