



T&S BRASS AND BRONZE WORKS, INC.
 2 Saddleback Cove / P.O. Box 1088
 Travelers Rest, SC 29690

Model No.
001A

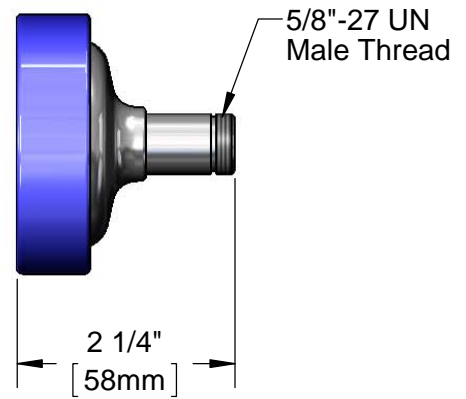
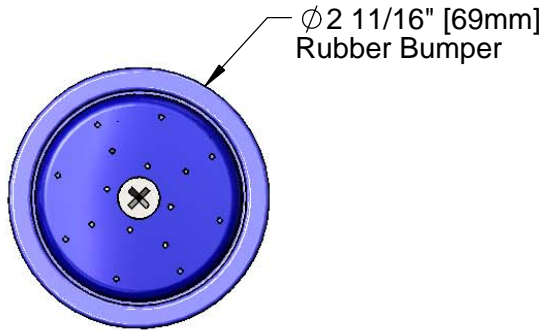
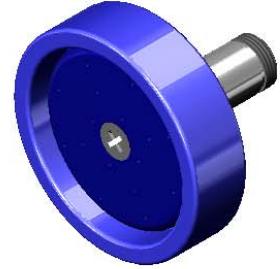
Item No.

Travelers Rest, SC: 800-476-4103 • Simi Valley, CA: 800-423-0150 • Fax: 864-834-3518 • www.tsbrass.com

This Space for Architect/Engineer Approval

Job Name _____ Date _____
 Model Specified _____ Quantity _____
 Customer/Wholesaler _____
 Contractor _____
 Architect/Engineer _____

EPAct 2005 NON-COMPLIANT



Product Specifications:
 Blue High-Flow Spray Head

Drawn KJG	Checked DMH	Approved JHB
Scale: 1:2		Date: 10/04/13



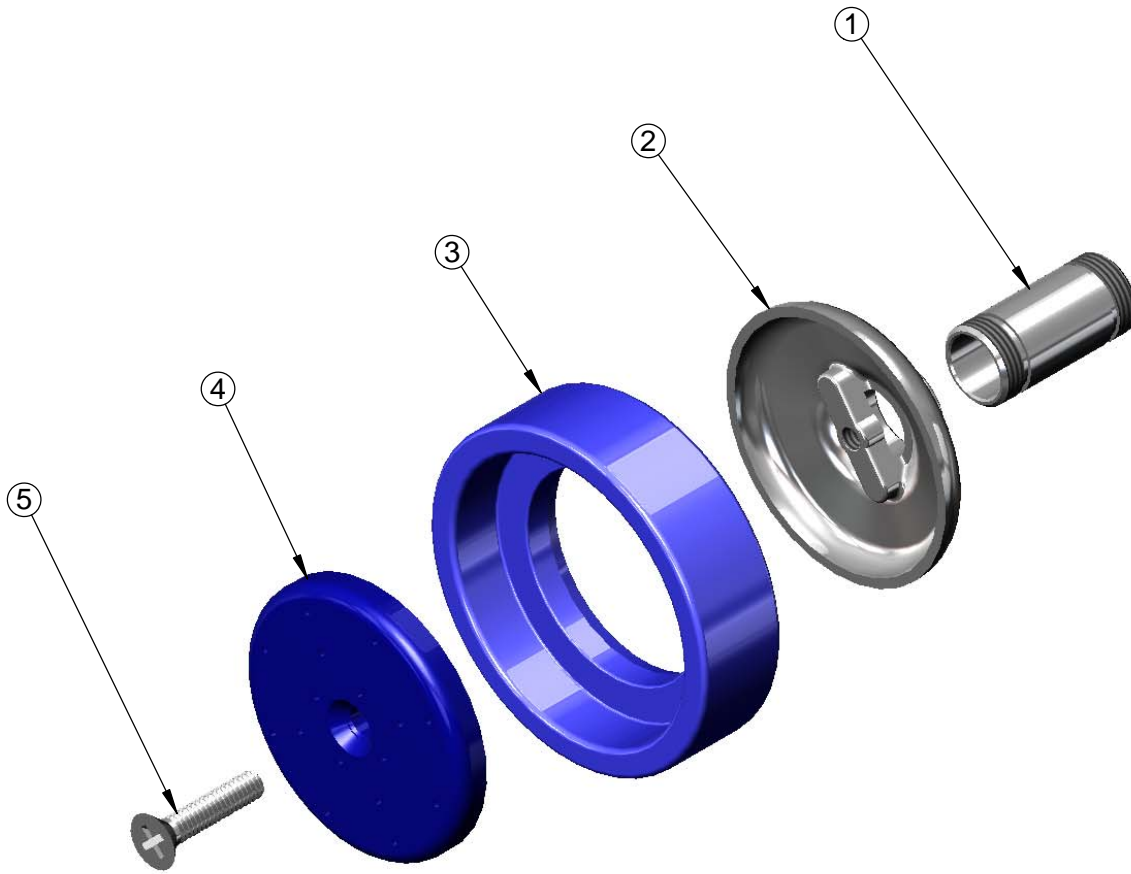
T&S BRASS AND BRONZE WORKS, INC.
 2 Saddleback Cove / P.O. Box 1088
 Travelers Rest, SC 29690

Model No.
001A

Item No.

Travelers Rest, SC: 800-476-4103 • Simi Valley, CA: 800-423-0150 • Fax: 864-834-3518 • www.tsbrass.com

ITEM NO.	SALES NO.	DESCRIPTION
1	000694-40	Short Nipple, B-0107
2	000019-40	Spray Cup, B-0107
3	011475-45	Blue Sprayhead Ring
4	011456-45	Blue Spray Face, High Flow
5	000913-45	Screw, Sprayface



Product Specifications:
 Blue High-Flow Spray Head

Drawn KJG	Checked DMH	Approved JHB
Scale: NTS		Date: 10/04/13