



T&S BRASS AND BRONZE WORKS, INC.

2 Saddleback Cove / P.O. Box 1088
Travelers Rest, SC 29690

Model No.

001660-45

Item No.

Travelers Rest, SC: 800-476-4103 • Simi Valley, CA: 800-423-0150 • Fax: 864-834-3518 • www.tsbrass.com

This Space for Architect/Engineer Approval

Job Name _____ Date _____

Model Specified _____ Quantity _____

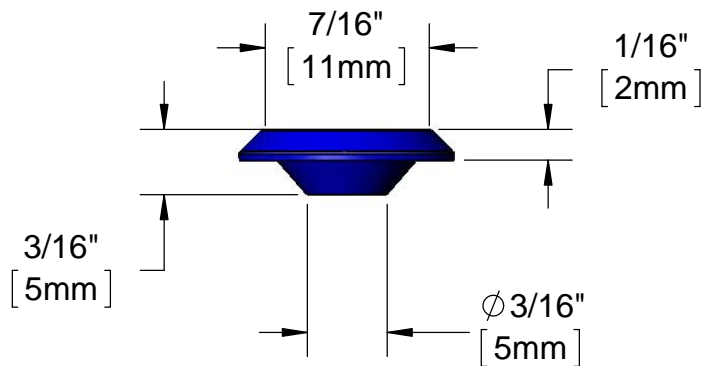
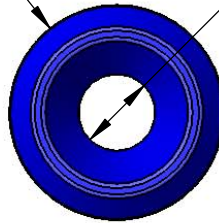
Customer/Wholesaler _____

Contractor _____

Architect/Engineer _____



$\phi 9/16"$
[14mm] $\phi 3/16"$
[5mm]



Material: Nylon

Product Specifications:
Index Button (Cold) Blue

Drawn

DHL

Checked

KJG

Approved

JHB

Scale:

2:1

Date:

04/10/12