



T&S BRASS AND BRONZE WORKS, INC.

2 Saddleback Cove / P.O. Box 1088
Travelers Rest, SC 29690



REG. #A2601
ISO #9001

Model No.

001496-45

Item No.

Travelers Rest, SC: 800-476-4103 • Simi Valley, CA: 800-423-0150 • Fax: 864-834-3518 • www.tsbrass.com

This Space for Architect/Engineer Approval

Job Name _____ Date _____

Model Specified _____ Quantity _____

Customer/Wholesaler _____

Contractor _____

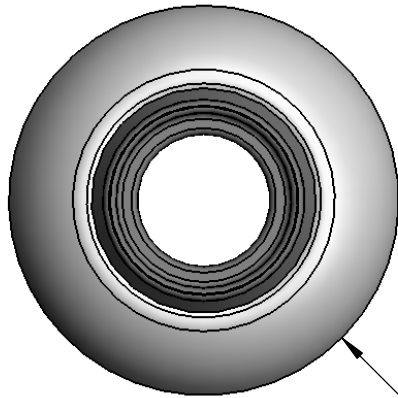
Architect/Engineer _____

1/2" NPSL
Male Thread

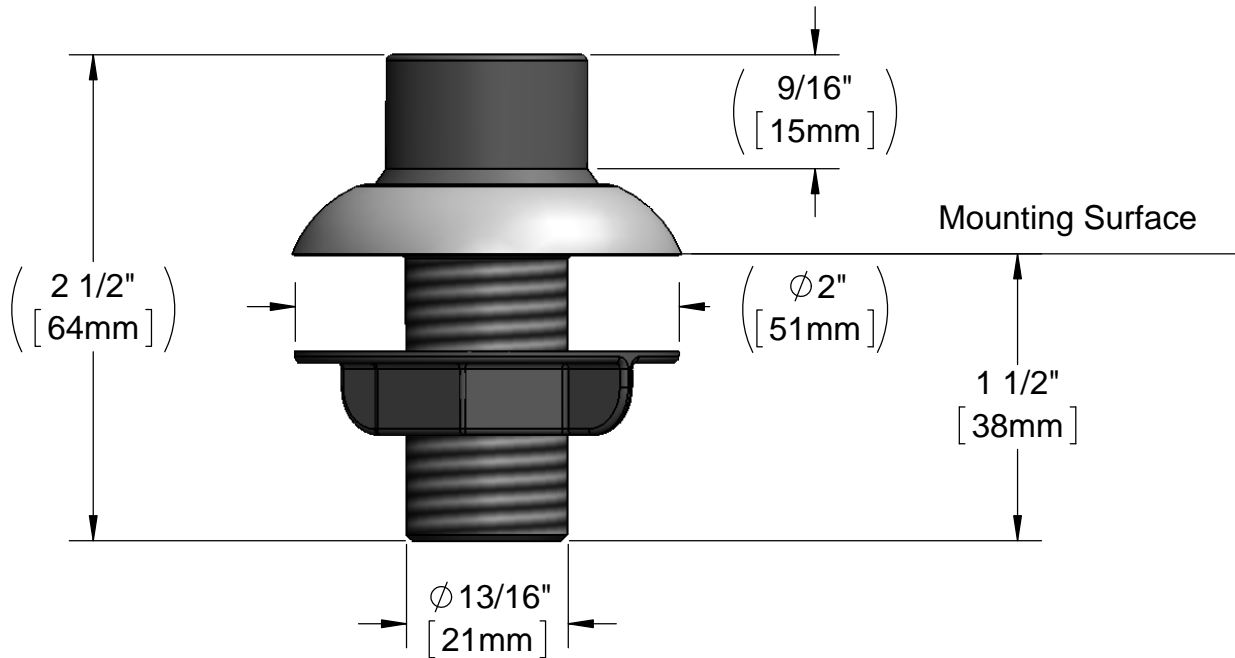
Black Plastic

Material: Chrome
Plated Brass

Locknut & Washer



$\phi 2"$
[52mm]



Product Specifications:
Hose Guide

Drawn

DHL

Checked

KJG

Approved

JHB

Scale:

1:1

Date:

09/06/11