



T&S BRASS AND BRONZE WORKS, INC.
2 Saddleback Cove / P.O. Box 1088
Travelers Rest, SC 29690



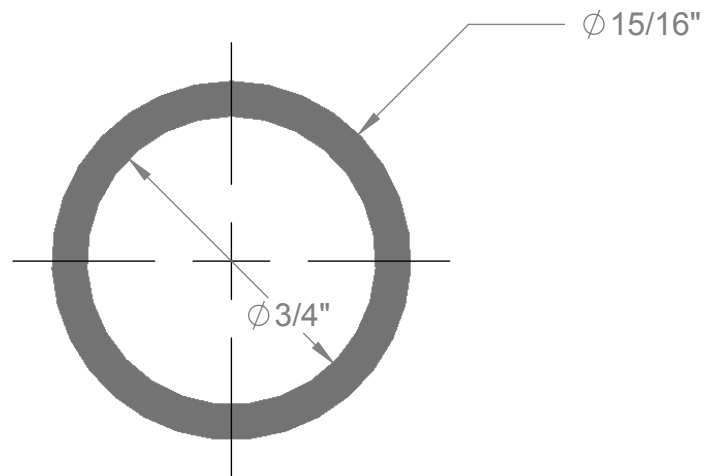
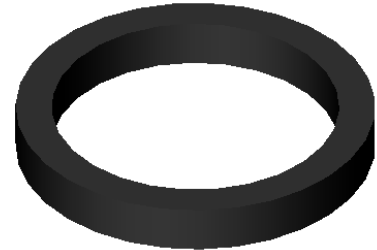
REG. #A2601
ISO #9001

Model No.

001040-45

Item No.

Travelers Rest, SC: 800-476-4103 Simi Valley, CA: 800-423-0150 Fax: 864-834-3518 www.tsbrass.com



Product Specifications:

Washer, Nitrile or EPDM
3/4 ID x 15/16 OD x 1/8 thick

Drawn
GEF

Checked
JRM

Approved
JHB

Scale:

2:1

Date:

06/26/07