



T&S BRASS AND BRONZE WORKS, INC.

2 Saddleback Cove / P.O. Box 1088
Travelers Rest, SC 29690

Model No.

001018-45

Item No.

Travelers Rest, SC: 800-476-4103 • Simi Valley, CA: 800-423-0150 • Fax: 864-834-3518 • www.tsbrass.com

This Space for Architect/Engineer Approval

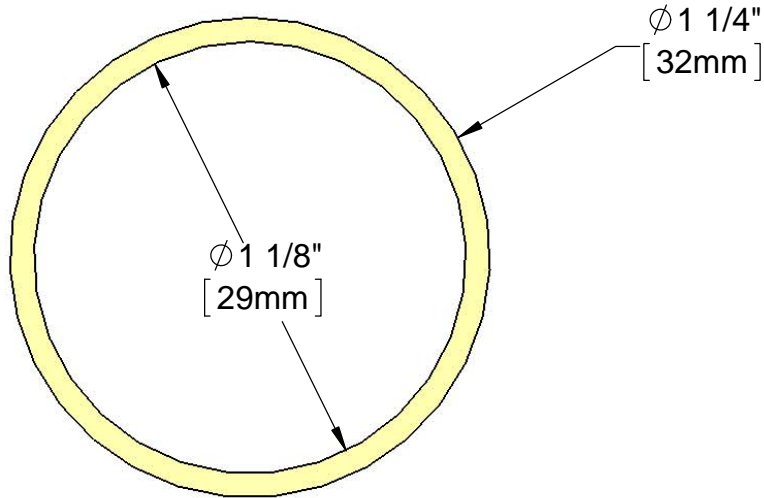
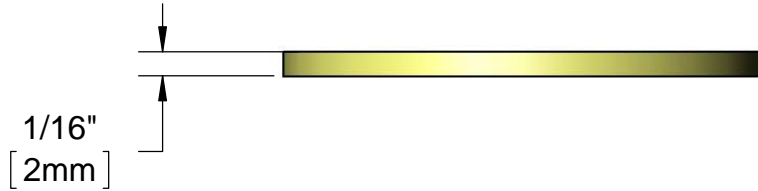
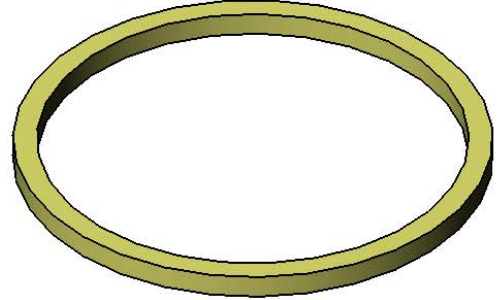
Job Name _____ Date _____

Model Specified _____ Quantity _____

Customer/Wholesaler _____

Contractor _____

Architect/Engineer _____



Material: Santoprene

Product Specifications:

Washer
1-1/4" O.D. x 1-1/8" I.D. x 1/16" Thick

Drawn

KJG

Checked

DMH

Approved

JHB

Scale:

2:1

Date:

12/05/11