



T&S BRASS AND BRONZE WORKS, INC.

2 Saddleback Cove / P.O. Box 1088
 Travelers Rest, SC 29690

Model No.

000741-40

Item No.

Travelers Rest, SC: 800-476-4103 • Simi Valley, CA: 800-423-0150 • Fax: 864-834-3518 • www.tsbrass.com

This Space for Architect/Engineer Approval

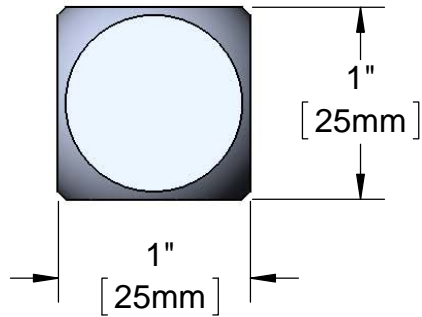
Job Name _____ Date _____

Model Specified _____ Quantity _____

Customer/Wholesaler _____

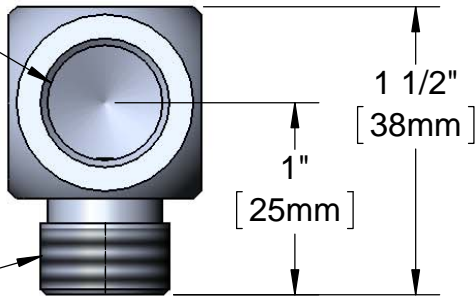
Contractor _____

Architect/Engineer _____



3/8" NPT
 Female Threads

3/8" NPSL
 Male Threads



Finish: Chrome Plated

Product Specifications:

Pedestal Cube

Drawn

KJG

Checked

JRM

Approved

JHB

Scale:

1:1

Date:

12/05/11