



**T&S BRASS AND BRONZE WORKS, INC.**  
 2 Saddleback Cove / P.O. Box 1088  
 Travelers Rest, SC 29690

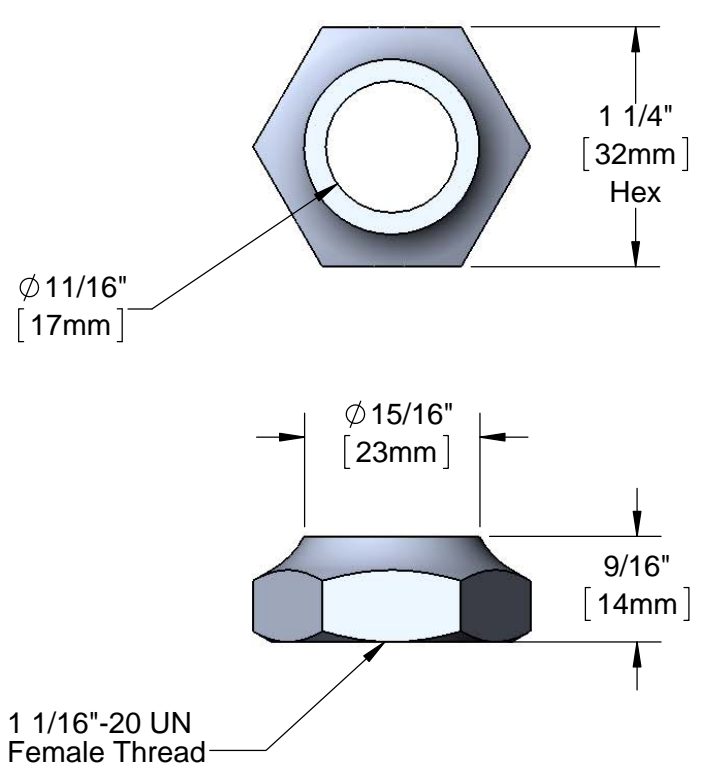
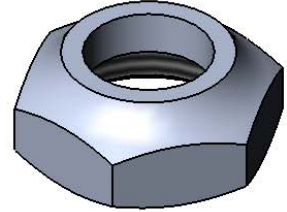
Model No.  
**000727-40**

Item No.

Travelers Rest, SC: 800-476-4103 • Simi Valley, CA: 800-423-0150 • Fax: 864-834-3518 • www.tsbrass.com

This Space for Architect/Engineer Approval

Job Name \_\_\_\_\_ Date \_\_\_\_\_  
 Model Specified \_\_\_\_\_ Quantity \_\_\_\_\_  
 Customer/Wholesaler \_\_\_\_\_  
 Contractor \_\_\_\_\_  
 Architect/Engineer \_\_\_\_\_



Finish: Chrome Plated

|  |        |          |          |
|--|--------|----------|----------|
| Product Specifications:<br>Rigid to Swivel Nut | Drawn  | Checked  | Approved |
|  | KJG    | DMH      | JHB      |
|  | Scale: | Date:    |          |
|  | 1:1    | 10/29/13 |          |