



T&S BRASS AND BRONZE WORKS, INC.
 2 Saddleback Cove / P.O. Box 1088
 Travelers Rest, SC 29690

Model No.
000607-40

Item No.

Travelers Rest, SC: 800-476-4103 • Simi Valley, CA: 800-423-0150 • Fax: 864-834-3518 • www.tsbrass.com

This Space for Architect/Engineer Approval

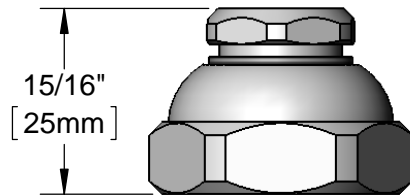
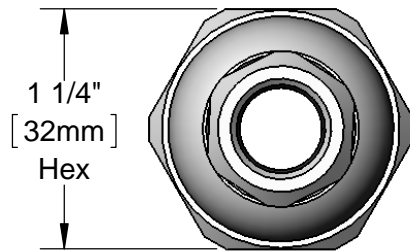
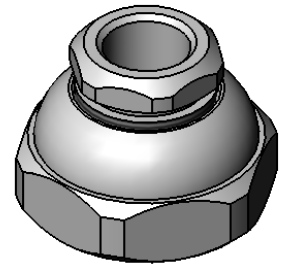
Job Name _____ Date _____

Model Specified _____ Quantity _____

Customer/Wholesaler _____

Contractor _____

Architect/Engineer _____



Product Specifications:
 Bonnet, Eterna Cartridge, Chrome Plated

Product Compliance:
 NSF 61 - Section 9
 NSF 372 (Low Lead Content)



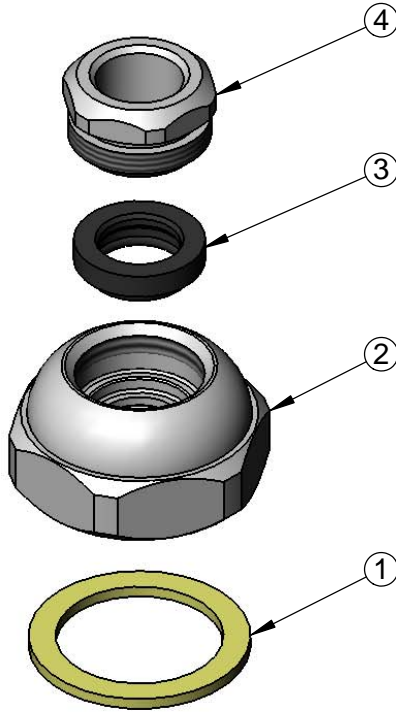
T&S BRASS AND BRONZE WORKS, INC.
2 Saddleback Cove / P.O. Box 1088
Travelers Rest, SC 29690

Model No.
000607-40

Item No.

Travelers Rest, SC: 800-476-4103 • Simi Valley, CA: 800-423-0150 • Fax: 864-834-3518 • www.tsbrass.com

ITEM NO.	SALES NO.	DESCRIPTION
1	002601-45	Gasket
2	009744-45	Bonnet
3	001098-45	Seal, Eterna Bonnet Packing
4	000718-25	Nut, Plated Packing



Product Specifications:
Bonnet, Eterna Cartridge, Chrome Plated

Product Compliance:
NSF 61 - Section 9
NSF 372 (Low Lead Content)