



T&S BRASS AND BRONZE WORKS, INC.
 2 Saddleback Cove / P.O. Box 1088
 Travelers Rest, SC 29690

Model No.
000374-40

Item No.

Travelers Rest, SC: 800-476-4103 • Simi Valley, CA: 800-423-0150 • Fax: 864-834-3518 • www.tsbrass.com

This Space for Architect/Engineer Approval

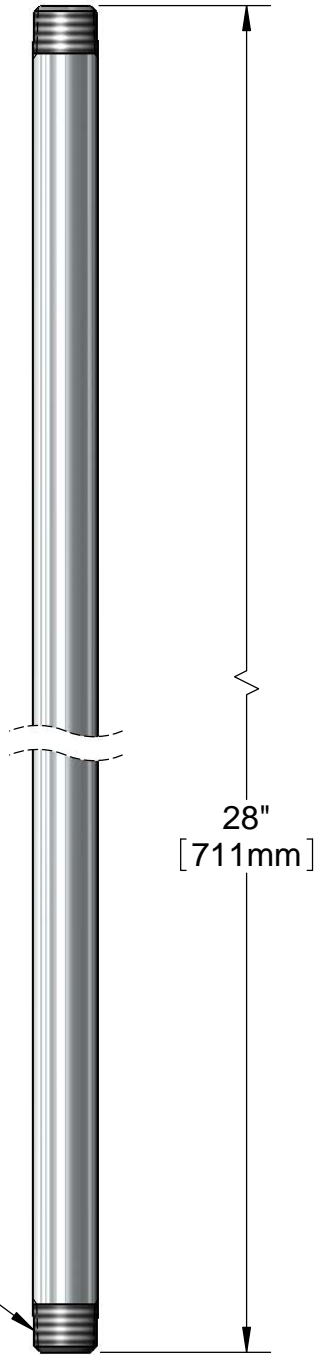
Job Name _____ Date _____

Model Specified _____ Quantity _____

Customer/Wholesaler _____

Contractor _____

Architect/Engineer _____



3/8" NPT Male Threads
 (Both Ends)

Finish: Chrome Plated

Product Specifications:
 3/8" NPT Threads (Both Ends) x 28" Long Riser

Drawn DHL	Checked KJG	Approved JHB
Scale: 1:2		Date: 08/05/13