



T&S BRASS AND BRONZE WORKS, INC.
 2 Saddleback Cove / P.O. Box 1088
 Travelers Rest, SC 29690

Model No.
000136-40

Item No.

Travelers Rest, SC: 800-476-4103 • Simi Valley, CA: 800-423-0150 • Fax: 864-834-3518 • www.tsbrass.com

This Space for Architect/Engineer Approval

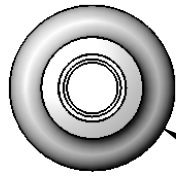
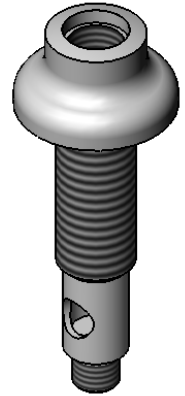
Job Name _____ Date _____

Model Specified _____ Quantity _____

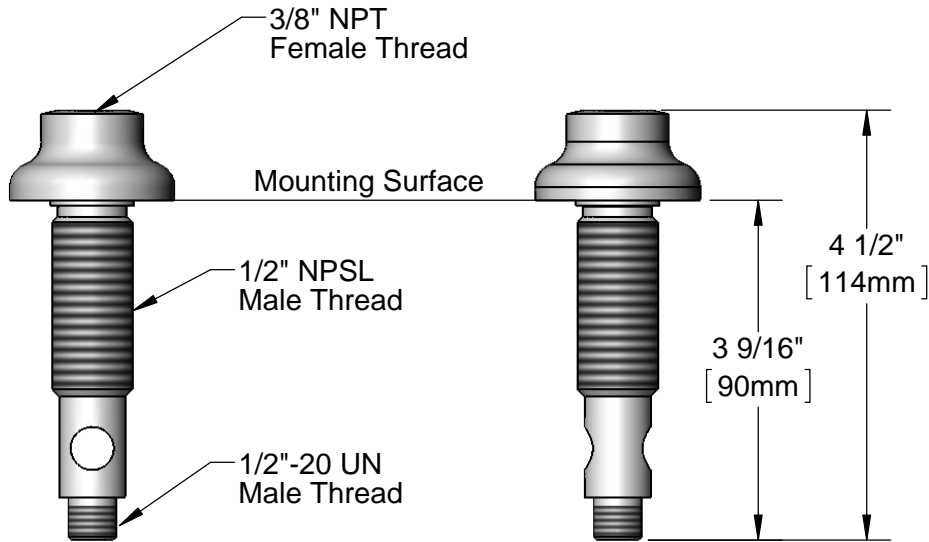
Customer/Wholesaler _____

Contractor _____

Architect/Engineer _____



$\varnothing 1 \frac{11}{16}$ "
 [43mm]
 Rigid Base
 Flange



Rough-In Requirement:
 $\varnothing 1$ " [$\varnothing 25$ mm] Mounting Hole

Product Specifications:
 B-0850 Center Body w/ Rigid Base Flange

Drawn KJG	Checked GEF	Approved JHB
Scale: 1:2		Date: 12/19/13