



T&S BRASS AND BRONZE WORKS, INC.
 2 SADDLEBACK COVE / P.O. BOX 1088 / TRAVELERS REST, SC 29690
 PHONE 800-476-4103 - FAX 864- 834-3518



Sales No.

000037-40

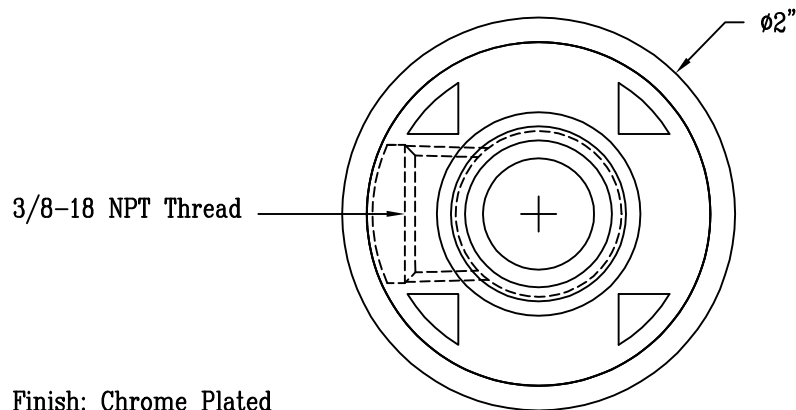
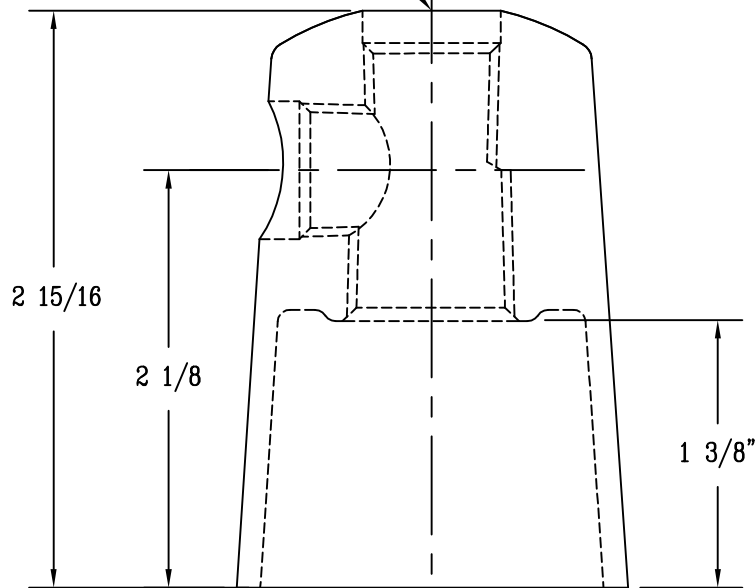
**RELIABILITY
 BUILT IN**

Job Name:

Architect/Engineer Approval:

Notes:

3/8-18 NPT Thread



Finish: Chrome Plated

Product Description:
 Turret, (2) Outlets,
 (1) Side & (1) Top

Drawn:

DHL

Checked

MAV

Scale:

1:1

Approved

JHB

Date:

03/20/07