



T&S BRASS AND BRONZE WORKS, INC.
 2 SADDLEBACK COVE / P.O. BOX 1088 / TRAVELERS REST, SC 29690
 PHONE 800-476-4103 FAX 864-834-3518



Model No.

HG-4F-48SEL

Item No.:

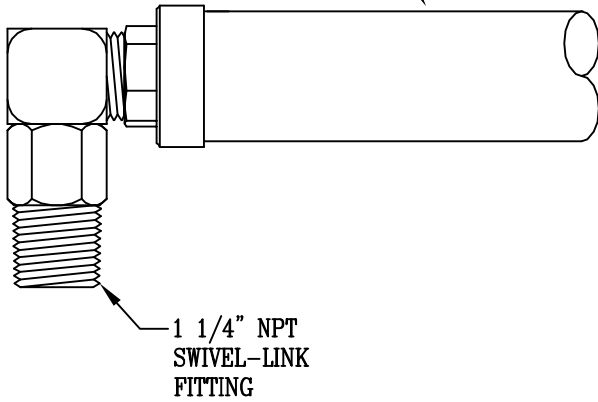
REG.#A2601
ISO #9002

Job Name:

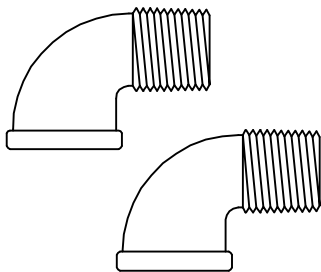
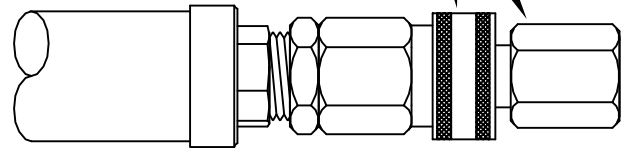
Architect/Engineer Approval:



1 1/4" NPT x 48" COATED
GAS APPLIANCE
CONNECTOR



QUICK DISCONNECT
ASSEMBLY



FURNISHED WITH (2) 1 1/4" NPT
STREET ELs

NOTE:
FURNISHED WITH 5 FT.
ADJUSTABLE RESTRAINING CABLE

Product Description:

SAFE-T-LINK GAS APPLIANCE CONNECTOR:
 1 1/4" NPT x 48" COATED GAS CONNECTOR WITH
 (2) STREET ELs & RESTRAINING CABLE

Drawn:

WJS

Checked

JKD

Scale:

1:1

Approved

MVW

Date:

06/06/02