



**T&S BRASS AND BRONZE WORKS, INC.**  
 2 Saddleback Cove / P.O. Box 1088  
 Travelers Rest, SC 29690

Model No.  
**HG-4F-48SEL-FF**

Item No.

Travelers Rest, SC: 800-476-4103 • Simi Valley, CA: 800-423-0150 • Fax: 864-834-3518 • www.tsbrass.com

This Space for Architect/Engineer Approval

Job Name \_\_\_\_\_ Date \_\_\_\_\_

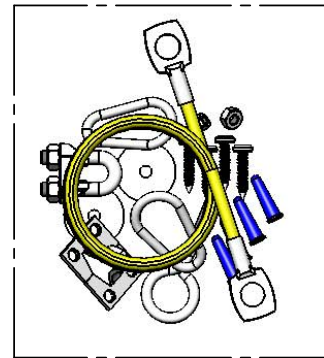
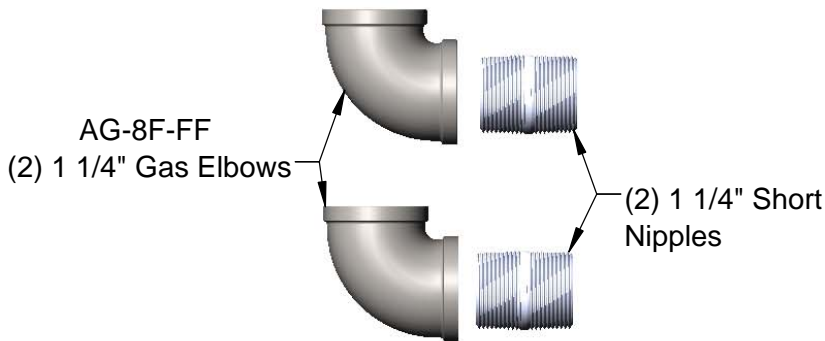
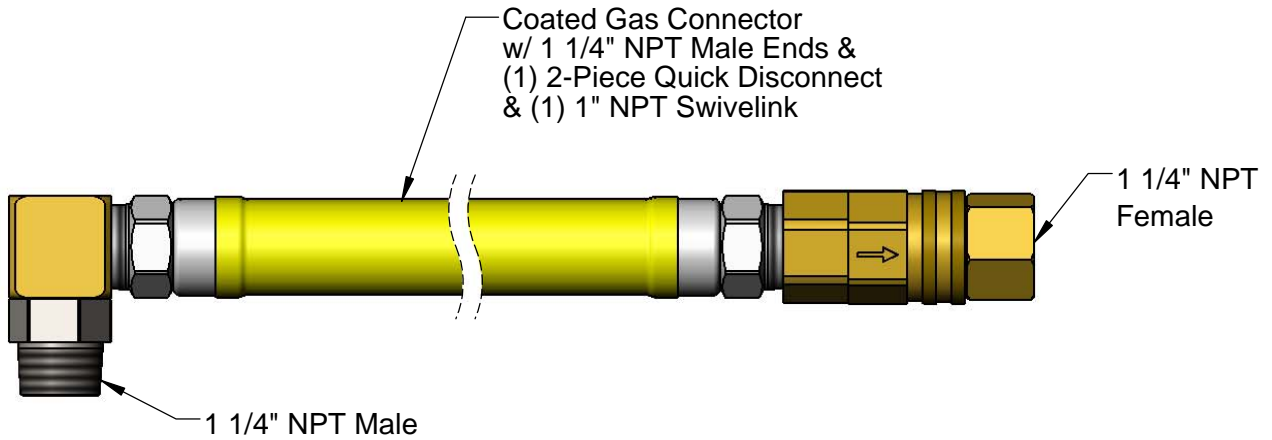
Model Specified \_\_\_\_\_ Quantity \_\_\_\_\_

Customer/Wholesaler \_\_\_\_\_

Contractor \_\_\_\_\_

Architect/Engineer \_\_\_\_\_

# SAFE-T-LINK



AG-RC  
 Restraining Cable Kit

Product Specifications:  
 Safe-T-Link Gas Appliance Connector: 48" Coated Hose w/ 1 1/4" NPT Male Ends, Swivelink, 2-Piece Quick Disconnect, (2) 1 1/4" Gas Elbows & 5' Restaining Cable Kit

Product Compliance:  
 ANSI Z21.69 / CSA 6.16  
 NSF 2  
 NFPA 54