

T&S BRASS AND BRONZE WORKS, INC.

2 SADDLEBACK COVE / P.O. BOX 1088 / TRAVELERS REST, SC 29690

PHONE 800-476-4103

FAX 864-834-3518



REG.#A2601  
ISO #9002

Model No.

HG-4E-48-RC

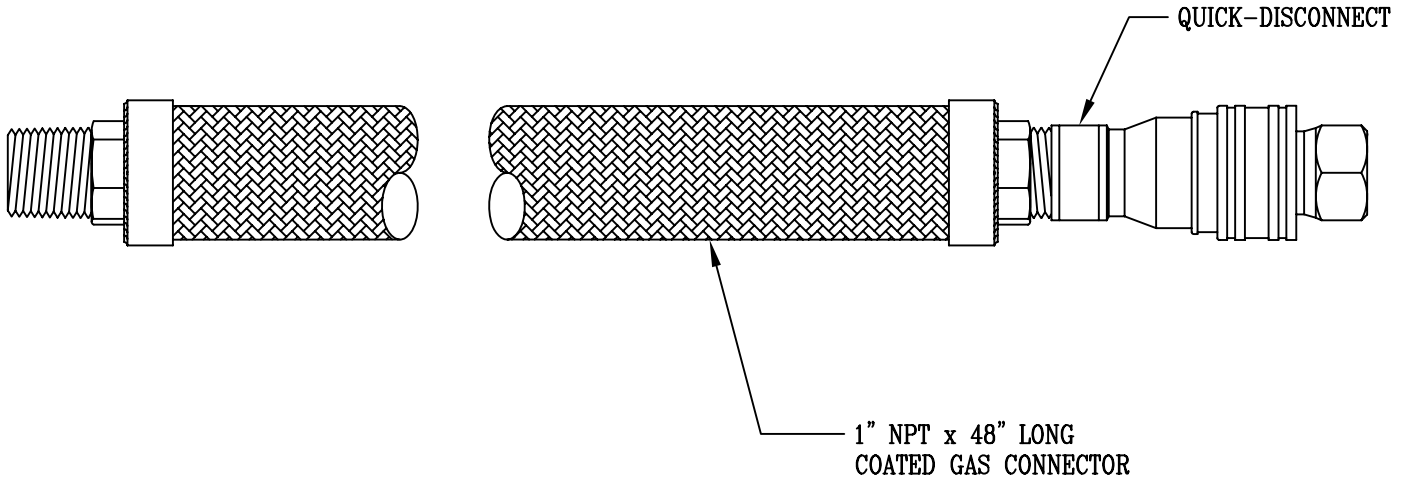
Item No.:

Job Name:

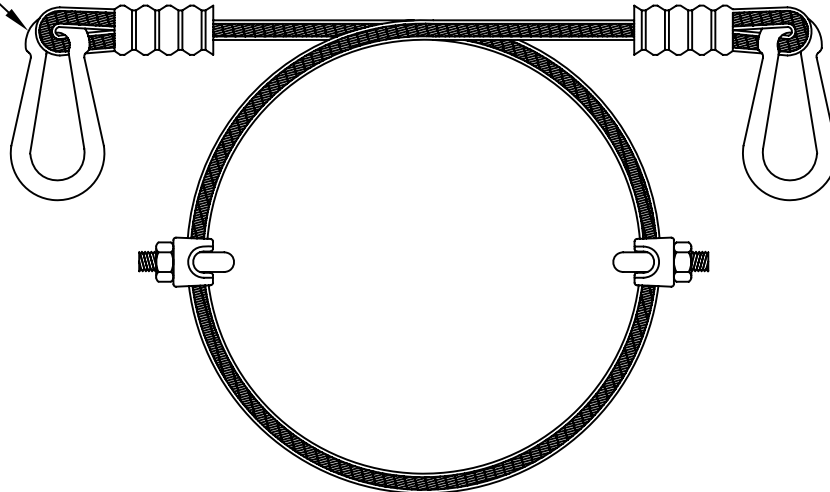
Architect/Engineer Approval:



AGA DESIGN CERTIFIED GAS APPLIANCE CONNECTORS



RESTRAINING CABLE KIT  
INCLUDING ALL NECESSARY  
HARDWARE (AG-RC)



Product Description:  
1" NPT x 48" LONG GAS HOSE w/ QUICK-DISCONNECT,  
RESTRAINING CABLE KIT

Drawn:

KJG

Checked

DHL

Scale:

NTS

Approved

JHB

Date:

01/18/10