



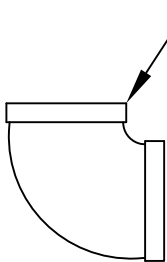
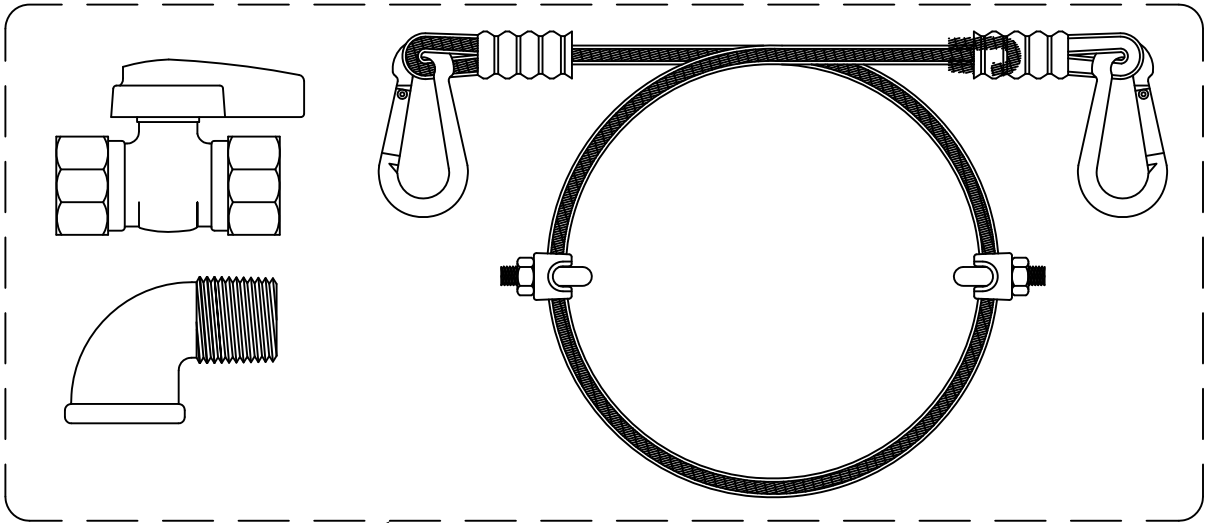
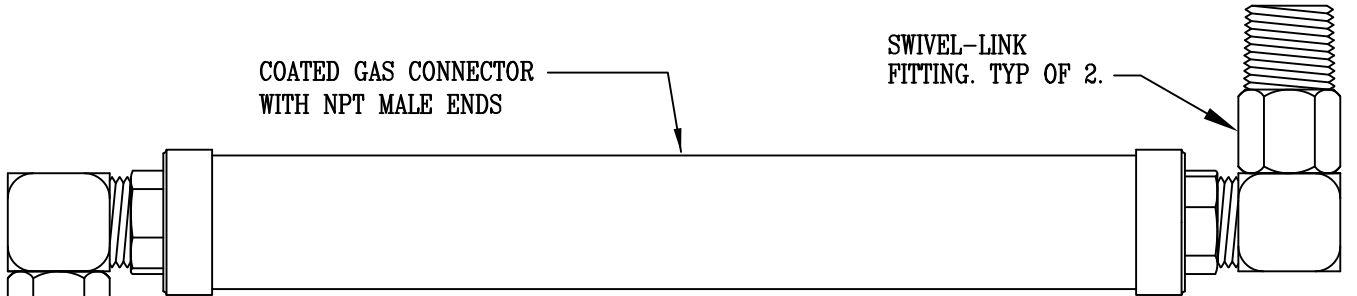
**T&S BRASS AND BRONZE WORKS, INC.**  
 2 SADDLEBACK COVE / P.O. BOX 1088 / TRAVELERS REST, SC 29690  
 PHONE 800-476-4103 FAX 864- 834-3518



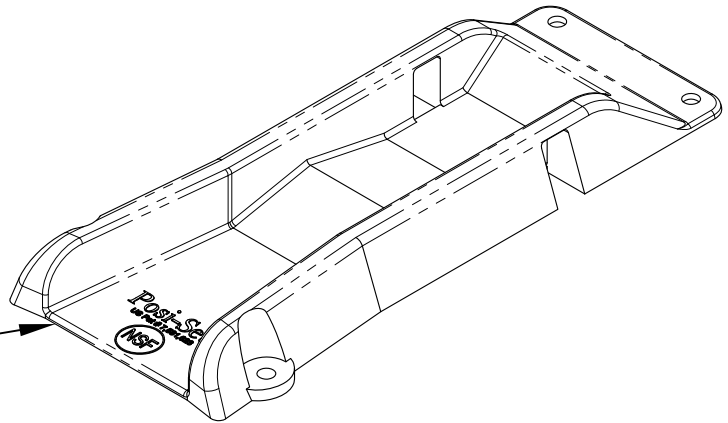
Model No.  
 HG-2D-48SK-PS  
 Item No.:

Job Name:

Architect/Engineer Approval:



(2) POSI-SET APPLIANCE LOCATING DEVICES (INCLUDES MOUNTING HARDWARE)



Product Description:  
 SAFE-T-LINK GAS APPLIANCE CONNECTOR:  
 COATED HOSE FURNISHED w/ SWIVEL LINKS, INSTALLATION  
 KIT & POSI-SET APPLIANCE LOCATING SYSTEM

Drawn: DMH	Checked KJG	Scale: NTS
Approved JHB	Date: 11/05/10	