



T&S BRASS AND BRONZE WORKS, INC.
 2 Saddleback Cove / P.O. Box 1088
 Travelers Rest, SC 29690

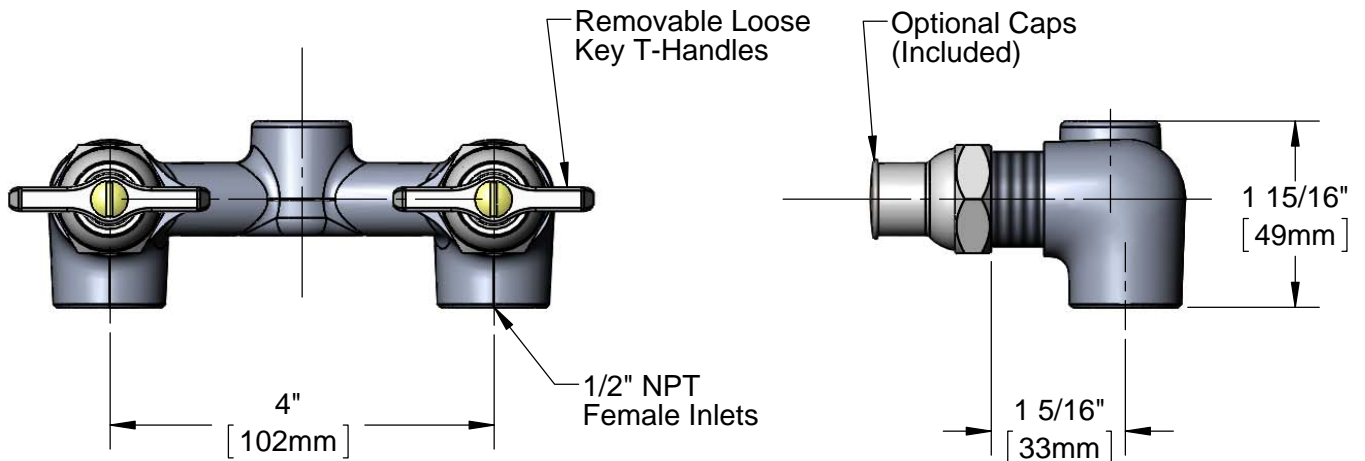
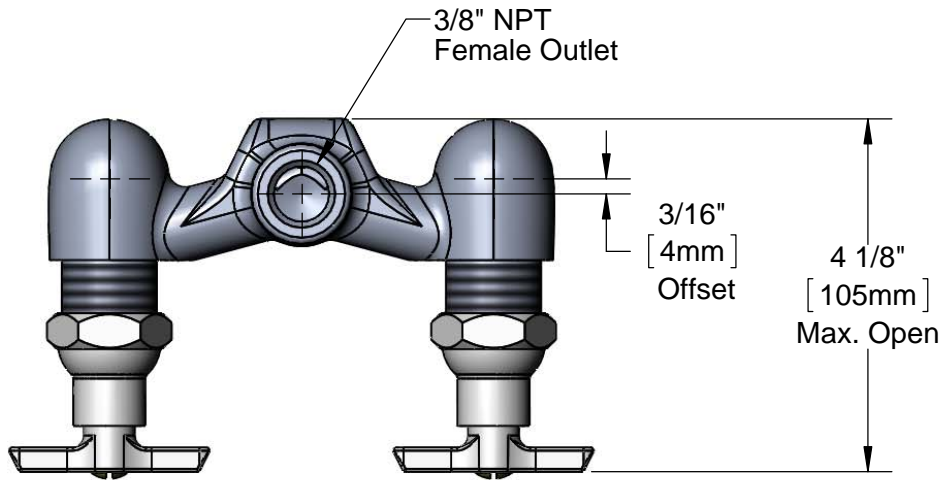
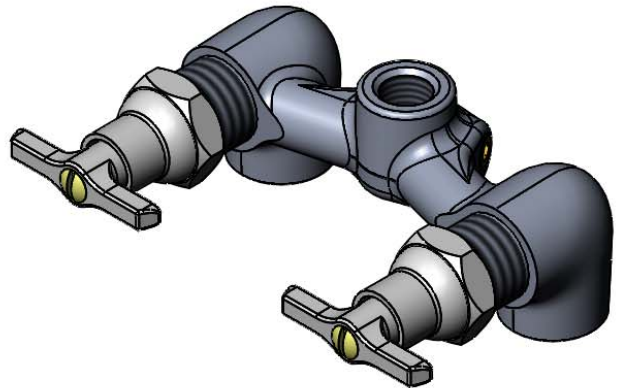
Model No.
0RK1

Item No.

Travelers Rest, SC: 800-476-4103 • Simi Valley, CA: 800-423-0150 • Fax: 864-834-3518 • www.tsbrass.com

This Space for Architect/Engineer Approval

Job Name _____ Date _____
 Model Specified _____ Quantity _____
 Customer/Wholesaler _____
 Contractor _____
 Architect/Engineer _____



Rough-In Requirement:
 (2) ϕ 1 1/8" [29mm] Panel Holes

Product Specifications:
 4" Mixing Control Valve w/ Loose Key T-Handles, 1/2" NPT Female Bottom Inlets & 3/8" NPT Female Top Outlet

Drawn DMH	Checked DHL	Approved JHB
Scale: 1:2		Date: 10/14/15



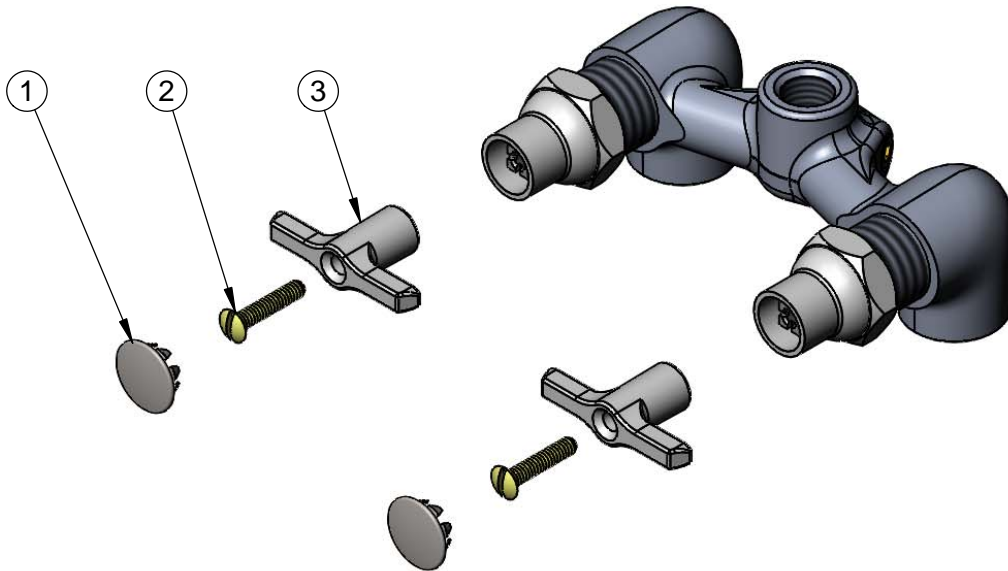
T&S BRASS AND BRONZE WORKS, INC.
 2 Saddleback Cove / P.O. Box 1088
 Travelers Rest, SC 29690

Model No.
0RK1

Item No.

Travelers Rest, SC: 800-476-4103 • Simi Valley, CA: 800-423-0150 • Fax: 864-834-3518 • www.tsbrass.com

ITEM NO.	SALES NO.	DESCRIPTION
1	001605-45	Cap
2	002432-45	Screw, Tee Handle
3	001802-45	Handle, Supply Stop "T"



Product Specifications:
 4" Mixing Control Valve w/ Loose Key T-Handles, 1/2" NPT Female
 Bottom Inlets & 3/8" NPT Female Top Outlet

Drawn DMH	Checked	Approved
Scale: NTS	Date:	