



# T&S BRASS AND BRONZE WORKS, INC.

2 Saddleback Cove / P.O. Box 1088  
Travelers Rest, SC 29690



REG. #A2601  
ISO #9001

Model No.

PB-8DOSN00KZKZZ

Item No.

Travelers Rest, SC: 800-476-4103 Simi Valley, CA: 800-423-0150 Fax: 864-834-3518 www.tsbrass.com

This Space for Architect/Engineer Approval

Job Name \_\_\_\_\_ Date \_\_\_\_\_

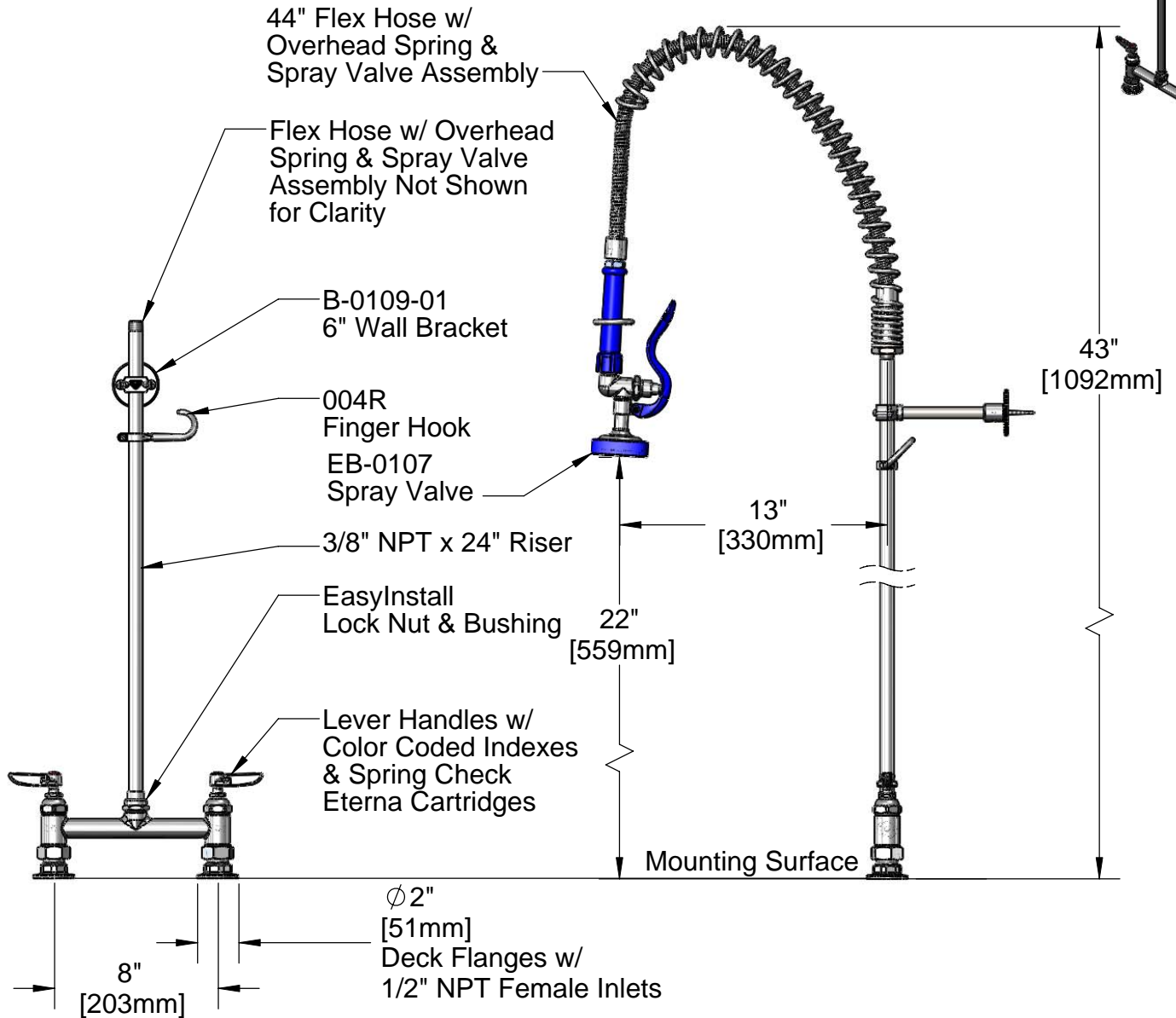
Model Specified \_\_\_\_\_ Quantity \_\_\_\_\_

Customer/Wholesaler \_\_\_\_\_

Contractor \_\_\_\_\_

Architect/Engineer \_\_\_\_\_

## EPAct 2005 Non-Compliant



### Product Specifications:

**Pet Grooming Unit:**  
8" c/c Deck Mount Mixing Faucet, 1/2" NPT Female Inlets,  
24" Riser, Overhead Spring, 44" Flex Hose, 6" Wall Bracket  
& EB-0107 Spray Valve

|                      |                       |                          |
|----------------------|-----------------------|--------------------------|
| Drawn<br><b>JRM</b>  | Checked<br><b>DMH</b> | Approved<br><b>JHB</b>   |
| Scale:<br><b>1:8</b> |                       | Date:<br><b>02/05/10</b> |



**T&S BRASS AND BRONZE WORKS, INC.**

2 Saddleback Cove / P.O. Box 1088  
Travelers Rest, SC 29690

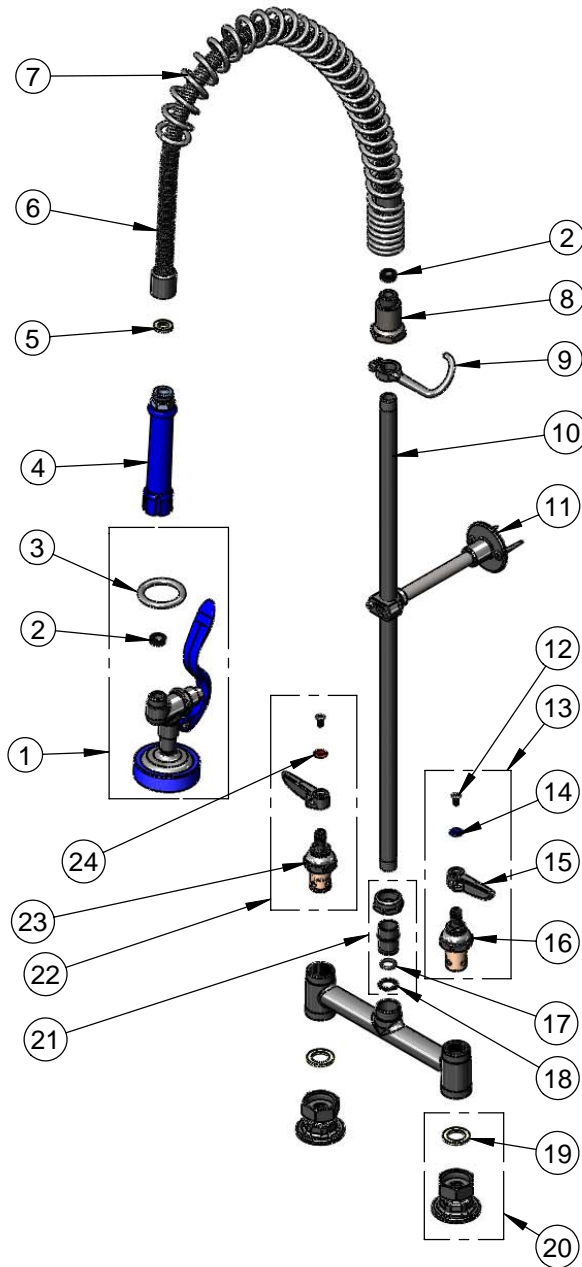


REG. #A2601  
ISO #9001

Model No.  
**PB-8DOSN00KZKZZ**

Item No.

Travelers Rest, SC: 800-476-4103 Simi Valley, CA: 800-423-0150 Fax: 864-834-3518 www.tsbrass.com



| ITEM NO. | SALES NO.  | DESCRIPTION                                                         |
|----------|------------|---------------------------------------------------------------------|
| 1        | EB-0107    | Blue Spray Valve                                                    |
| 2        | 010476-45  | #27 Washer                                                          |
| 3        | 000907-45  | Spray Valve Hold Down Ring                                          |
| 4        | 011482-40  | Handle Grip Assembly, Blue                                          |
| 5        | 001014-45  | Washer, B-0100 Hose Barrel                                          |
| 6        | B-0044-H2A | 44" Flex Hose Assembly, Less Handle                                 |
| 7        | 000888-45  | EasyInstall Overhead Spring                                         |
| 8        | 000821-40  | Spring Body                                                         |
| 9        | 004R       | Finger Hook Assembly                                                |
| 10       | 000372-40  | 3/8" NPT x 24" Long Riser                                           |
| 11       | B-0109-01  | Bracket Assembly, 6" Wall                                           |
| 12       | 000922-45  | Lever Handle Screw                                                  |
| 13       | 002711-40  | Cold Eterna Spindle Assembly w/ Spring Check, Handle, Index & Screw |
| 14       | 001660-45  | Blue Index-CW                                                       |
| 15       | 001638-45  | Lever Handle                                                        |
| 16       | 012442-40  | Cold Eterna Spindle Assembly w/ Spring Check                        |
| 17       | 001065-45  | O-Ring                                                              |
| 18       | 014200-45  | Star Washer, Anti-Rotation                                          |
| 19       | 001019-45  | Coupling Nut Washer                                                 |
| 20       | 00AA       | Flange Assembly                                                     |
| 21       | EZ-K       | EasyInstall Kit: Bushing, O-ring, Lock Washer & Loctite 222         |
| 22       | 002712-40  | Hot Eterna Spindle Assembly w/ Spring Check, Handle, Index & Screw  |
| 23       | 012443-40  | Hot Eterna Spindle Assembly w/ Spring Check                         |
| 24       | 001661-45  | Red Index-HW                                                        |

Product Specifications:

**Pet Grooming Unit:**  
8" c/c Deck Mount Mixing Faucet, 1/2" NPT Female Inlets,  
24" Riser, Overhead Spring, 44" Flex Hose, 6" Wall Bracket  
& EB-0107 Spray Valve

|                      |                       |                          |
|----------------------|-----------------------|--------------------------|
| Drawn<br><b>JRM</b>  | Checked<br><b>DMH</b> | Approved<br><b>JHB</b>   |
| Scale:<br><b>NTS</b> |                       | Date:<br><b>02/05/10</b> |