



T&S BRASS AND BRONZE WORKS, INC.

2 Saddleback Cove / P.O. Box 1088
Travelers Rest, SC 29690

Model No.

PB-2347-00PB

Item No.

Travelers Rest, SC: 800-476-4103 • Simi Valley, CA: 800-423-0150 • Fax: 864-834-3518 • www.tsbrass.com

This Space for Architect/Engineer Approval

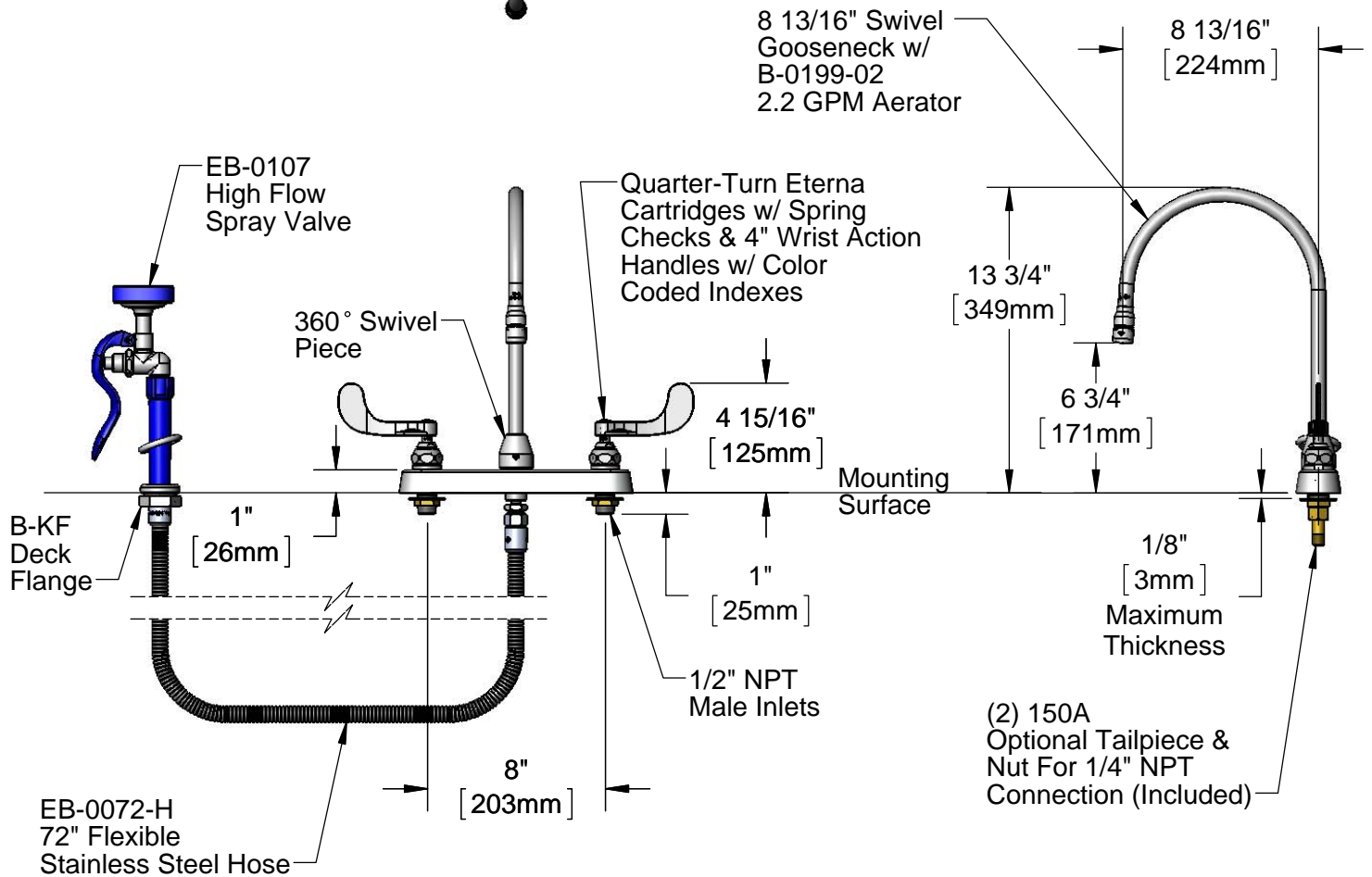
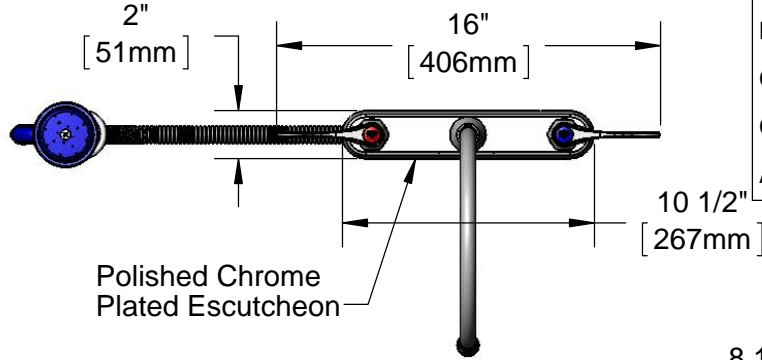
Job Name _____ Date _____

Model Specified _____ Quantity _____

Customer/Wholesaler _____

Contractor _____

Architect/Engineer _____



Rough-In Requirement:
Faucet: (3) Ø 1" [25mm] Mounting Holes
Deck Flange: (1) Ø 1 9/16" Mounting Hole

Product Specifications:
8" Deck Mount Mixing Faucet, Quarter-Turn Eterna Cartridges w/ Spring Checks, 4" Wrist Action Handles, 8 13/16" Swivel Gooseneck, 2.2 GPM Aerator, High Flow Spray Valve, 72" Flexible Stainless Steel Hose, Deck Mount Flange & 1/2" NPT Male Inlets

Product Compliance:
ASME A112.18.1 / CSA B125.1
NSF 61 Exempt (Non-Potable)
EPA Act 2005 Non-Compliant (PRSV)



T&S BRASS AND BRONZE WORKS, INC.

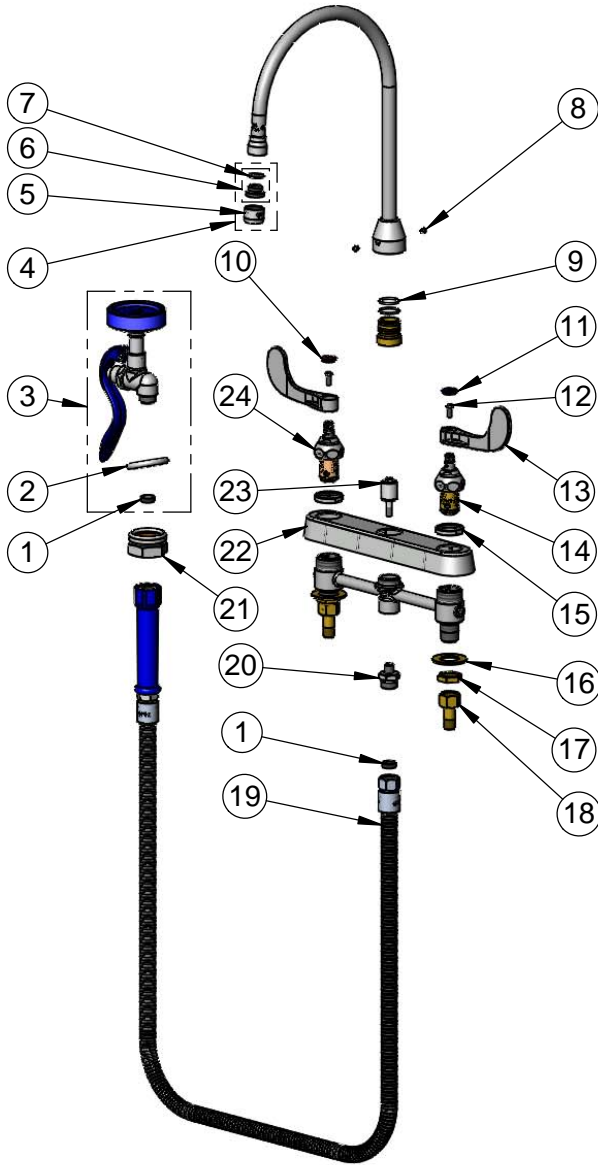
2 Saddleback Cove / P.O. Box 1088
Travelers Rest, SC 29690

Model No.

PB-2347-00PB

Item No.

Travelers Rest, SC: 800-476-4103 • Simi Valley, CA: 800-423-0150 • Fax: 864-834-3518 • www.tsbrass.com



ITEM NO.	SALES NO.	DESCRIPTION
1	010476-45	#27 Washer
2	000907-45	Spray Valve Hold Down Ring
3	PG-35AV	Blue Lightweight Aluminum Spray Valve w/ Angled Spray Face
4	B-0199-02	2.2 GPM Aerator, 3/8" NPSM Male
5	B-0199-01	2.2 GPM Aerator, 55/64"-27 UN Female
6	044A	3/8" to Aerator Adapter
7	001043-45	Washer
8	001486-45	Diverter Cover Screw
9	001069-45	O-ring
10	019364-45	Red Button Index, Press-in
11	019363-45	Blue Button Index, Press-in
12	000925-45	Lab Handle Screw
13	019362-45	Wrist Action Handle (New Style)
14	019382-40	Quarter-Turn New Style Eterna Cartridge w/ Spring Check, LTC
15	019376-40	Escutcheon Lock Nut
16	000999-45	Brass Lock Washer
17	002954-45	Shank Lock Nut
18	150A	1/4" NPT Tailpiece & Nut
19	EB-0072-H	72" Flexible Stainless Steel Hose w/ Blue Grip Handle
20	000542-25	1/8" NPT x 3/4-14 Male Adapter
21	B-KF	Protective Flange For Deck Mounted Spray Hoses
22	019375-40	B-1120 Eterna Workboard Escutcheon
23	002338-45	Valve Diverter Piston
24	019383-40	Quarter-Turn New Style Eterna Cartridge w/ Spring Check, RTC

Product Specifications:

8" Deck Mount Mixing Faucet, Quarter-Turn Eterna Cartridges w/ Spring Checks, 4" Wrist Action Handles, 8 13/16" Swivel Gooseneck, 2.2 GPM Aerator, High Flow Spray Valve, 72" Flexible Stainless Steel Hose, Deck Mount Flange & 1/2" NPT Male Inlets

Product Compliance:

ASME A112.18.1 / CSA B125.1
NSF 61 Exempt (Non-Potable)
EPA Act 2005 Non-Compliant (PRSV)