



T&S BRASS AND BRONZE WORKS, INC.

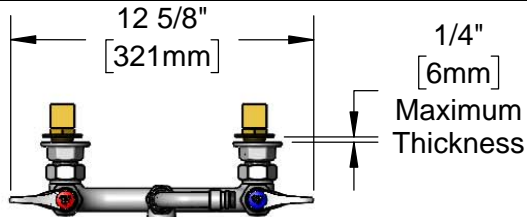
2 Saddleback Cove / P.O. Box 1088
Travelers Rest, SC 29690

Model No.

P3-8WSAN12PZJU

Item No.

Travelers Rest, SC: 800-476-4103 • Simi Valley, CA: 800-423-0150 • Fax: 864-834-3518 • www.tsbrass.com



This Space for Architect/Engineer Approval

Job Name _____ Date _____

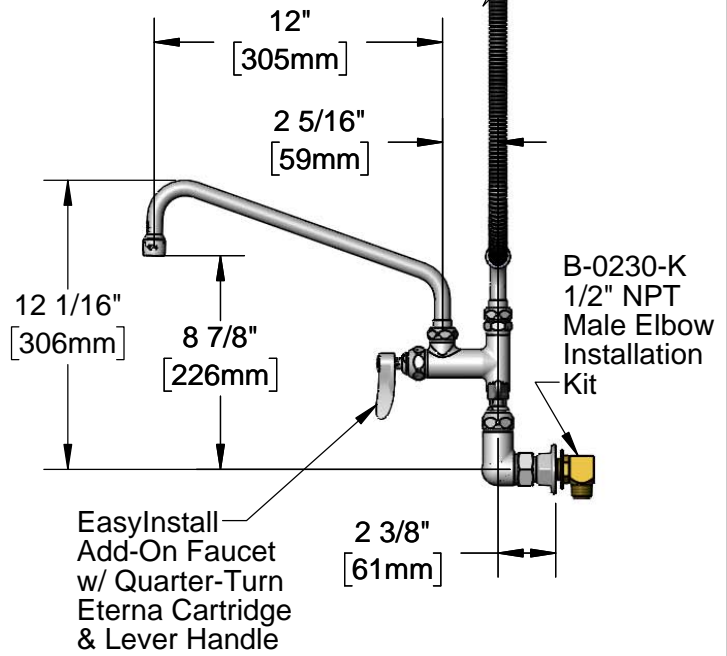
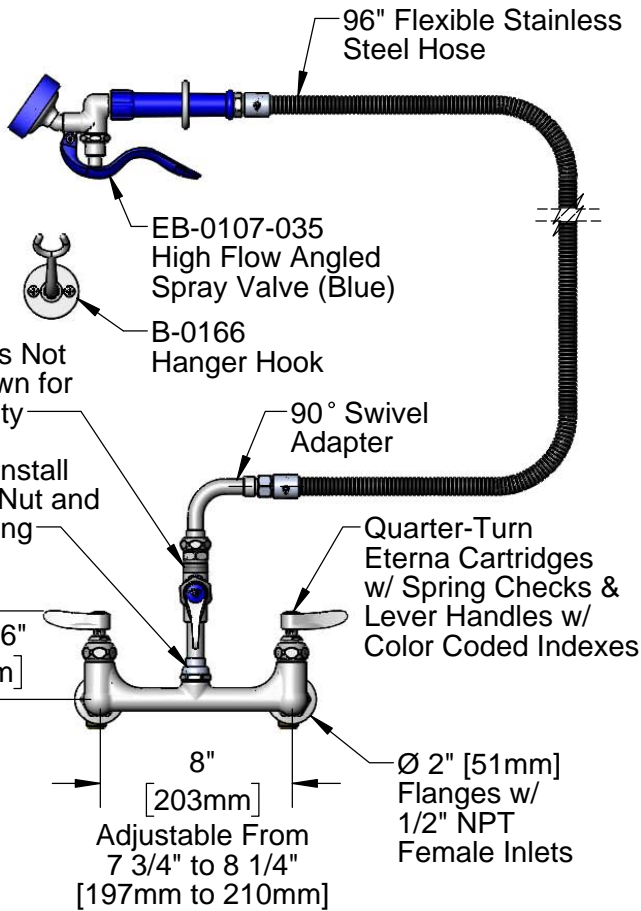
Model Specified _____ Quantity _____

Customer/Wholesaler _____

Contractor _____

Architect/Engineer _____

062X
12" Swing Nozzle w/
Stream Regulator Outlet



Product Specifications:

8" Wall Mount Mixing Faucet, Quarter-Turn Eterna Cartridges w/ Spring Checks, Lever Handles, Add-On Faucet, 12" Swing Nozzle w/ Stream Regulator Outlet, High Flow Angled Spray Valve (Blue), 96" Flexible Stainless Steel Hose, 1/2" NPT Female Inlets & 1/2" NPT Male Elbow Installation Kit

Product Compliance:

ASME A112.18.1 / CSA B125.1
NSF 61 Exempt (Non-Potable)
EPA Act 2005 Non-Compliant (PRSV)
CSA B64.8 (VB)



T&S BRASS AND BRONZE WORKS, INC.

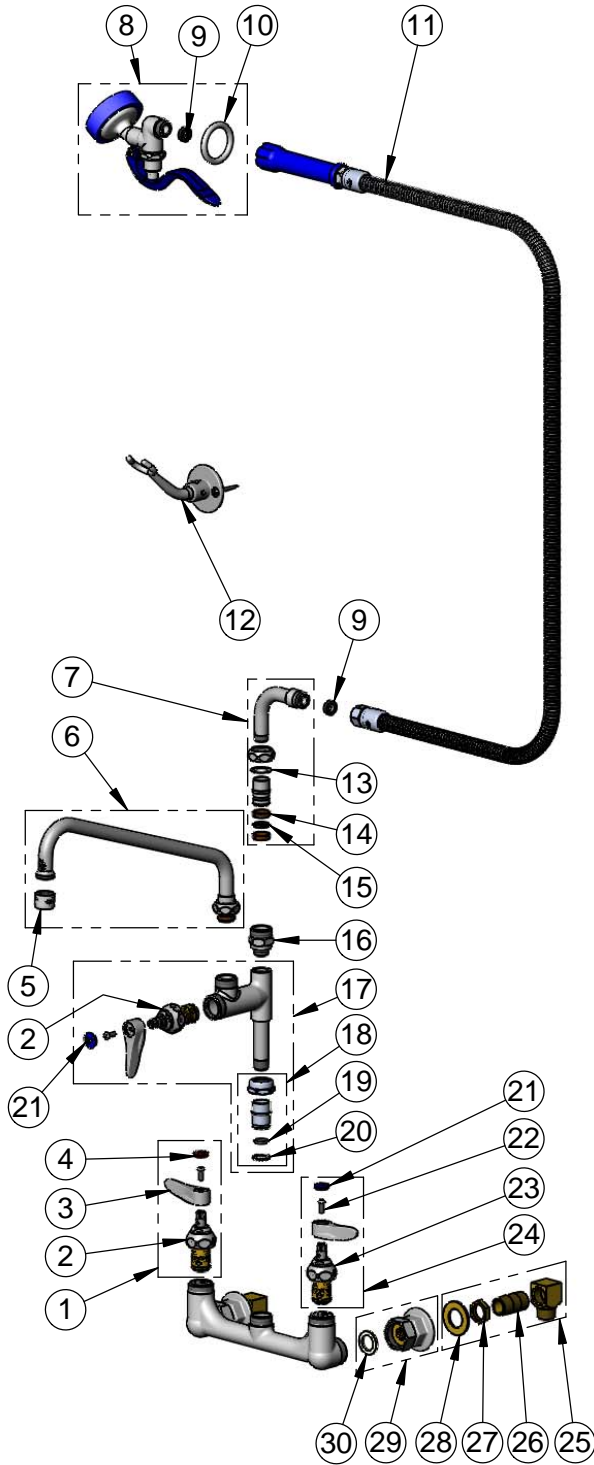
2 Saddleback Cove / P.O. Box 1088
Travelers Rest, SC 29690

Model No.

P3-8WSAN12PZJU

Item No.

Travelers Rest, SC: 800-476-4103 • Simi Valley, CA: 800-423-0150 • Fax: 864-834-3518 • www.tsbrass.com



ITEM NO.	SALES NO.	DESCRIPTION
1	002712-40NS	Quarter-Turn Eterna Cartridge w/ Spring Check, Handle, Red Index & Screw, RTC
2	012443-40NS	Quarter-Turn Eterna Cartridge w/ Spring Check, RTC
3	001638-45NS	Lever Handle (New Style)
4	001193-19NS	Red Button Index, Press-in
5	B-PT	Full Flow Stream Regulator, 55/64-27
6	062X	12" Swing Nozzle
7	034A	90° Swivel Adapter
8	EB-0107-035	High Flow Angled Spray Valve (Blue)
9	010476-45	#27 Washer
10	000907-45	Spray Valve Hold Down Ring
11	EB-0096-H	96" Flexible Stainless Steel Hose w/ Blue Grip Handle
12	B-0166	Wall Hook
13	009538-45	Swivel Washer
14	011429-45	Swivel Sleeves (2)
15	001074-45	O-Ring
16	B-0412	Rigid to Swivel Adapter
17	B-0155-LNEZ	EasyInstall Add-On Faucet
18	EZ-K	EasyInstall Kit
19	001065-45	O-Ring
20	014200-45	Star Washer, Anti-Rotation
21	018506-19NS	Blue Button Index, Press-in
22	000925-45	Lab Handle Screw
23	012442-40NS	Quarter-Turn Eterna Cartridge w/ Spring Check, LTC
24	002711-40NS	Quarter-Turn Eterna Cartridge w/ Spring Check, Handle, Blue Index & Screw, LTC
25	B-0230-K	1/2" NPT Male Elbow Installation Kit (2)
26	013357-20	1/2" NPT x 1-5/8" Lg. Close Nipple
27	002954-45	Shank Lock Nut
28	000999-45	Brass Lock Washer
29	00AA	1/2" NPT Female Eccentric Flange
30	001019-45	Coupling Nut Washer

Product Specifications:

8" Wall Mount Mixing Faucet, Quarter-Turn Eterna Cartridges w/ Spring Checks, Lever Handles, Add-On Faucet, 12" Swing Nozzle w/ Stream Regulator Outlet, High Flow Angled Spray Valve (Blue), 96" Flexible Stainless Steel Hose, 1/2" NPT Female Inlets & 1/2" NPT Male Elbow Installation Kit

Product Compliance:

ASME A112.18.1 / CSA B125.1
NSF 61 Exempt (Non-Potable)
EPA Act 2005 Non-Compliant (PRSV)
CSA B64.8 (VB)