



**T&S BRASS AND BRONZE WORKS, INC.**

2 Saddleback Cove / P.O. Box 1088  
Travelers Rest, SC 29690

Model No.

**P3-8WESV-00M**

Item No.

Travelers Rest, SC: 800-476-4103 • Simi Valley, CA: 800-423-0150 • Fax: 864-834-3518 • www.tsbrass.com

This Space for Architect/Engineer Approval

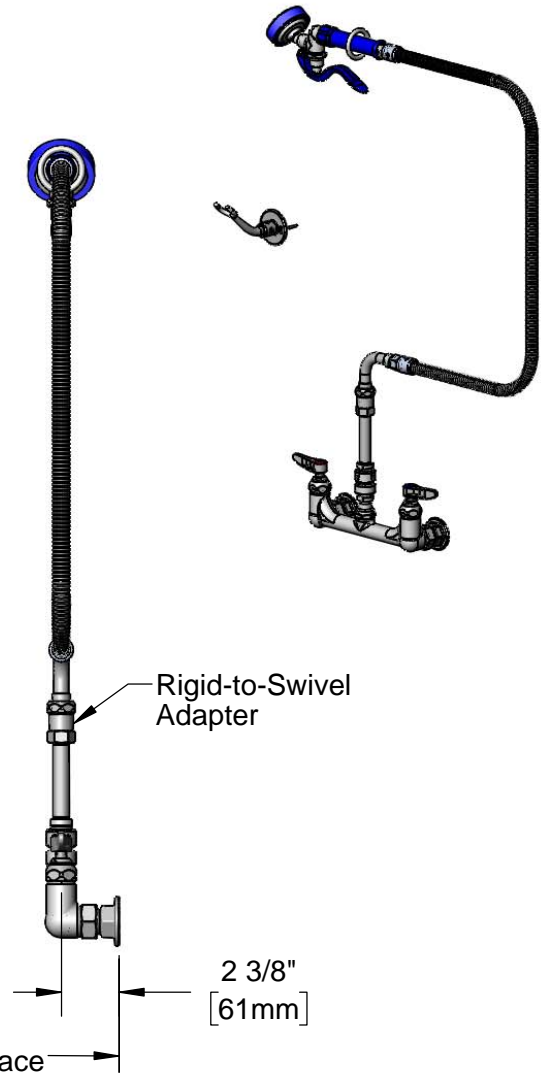
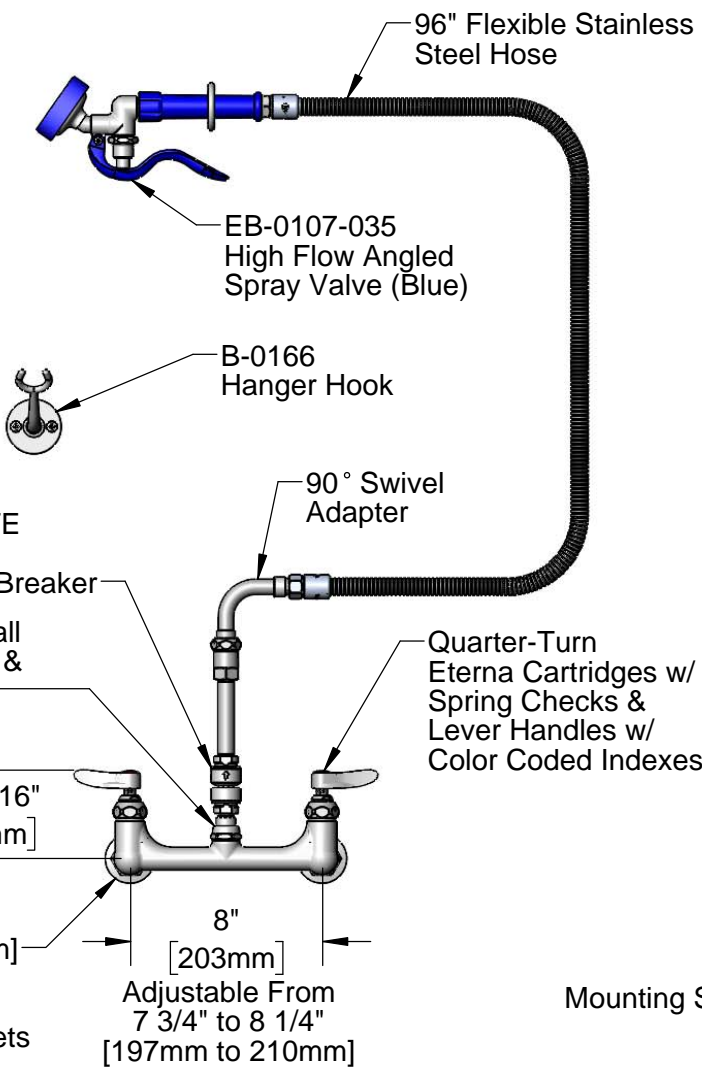
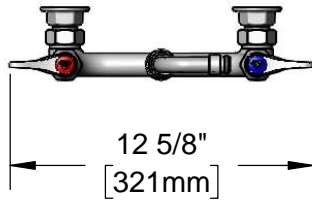
Job Name \_\_\_\_\_ Date \_\_\_\_\_

Model Specified \_\_\_\_\_ Quantity \_\_\_\_\_

Customer/Wholesaler \_\_\_\_\_

Contractor \_\_\_\_\_

Architect/Engineer \_\_\_\_\_



**Product Specifications:**

8" Wall Mount Mixing Faucet, Quarter-Turn Eterna Cartridges w/ Spring Checks, Lever Handles, Vacuum Breaker, 96" Flexible Stainless Steel Hose, High Flow Angled Spray Valve (Blue), Hanger Hook & 1/2" NPT Female Inlets

**Product Compliance:**

ASME A112.18.1 / CSA B125.1  
NSF 61 Exempt (Non-Potable)  
EPA Act 2005 Non-Compliant (PRSV)  
CSA B64.8 (VB)



# T&S BRASS AND BRONZE WORKS, INC.

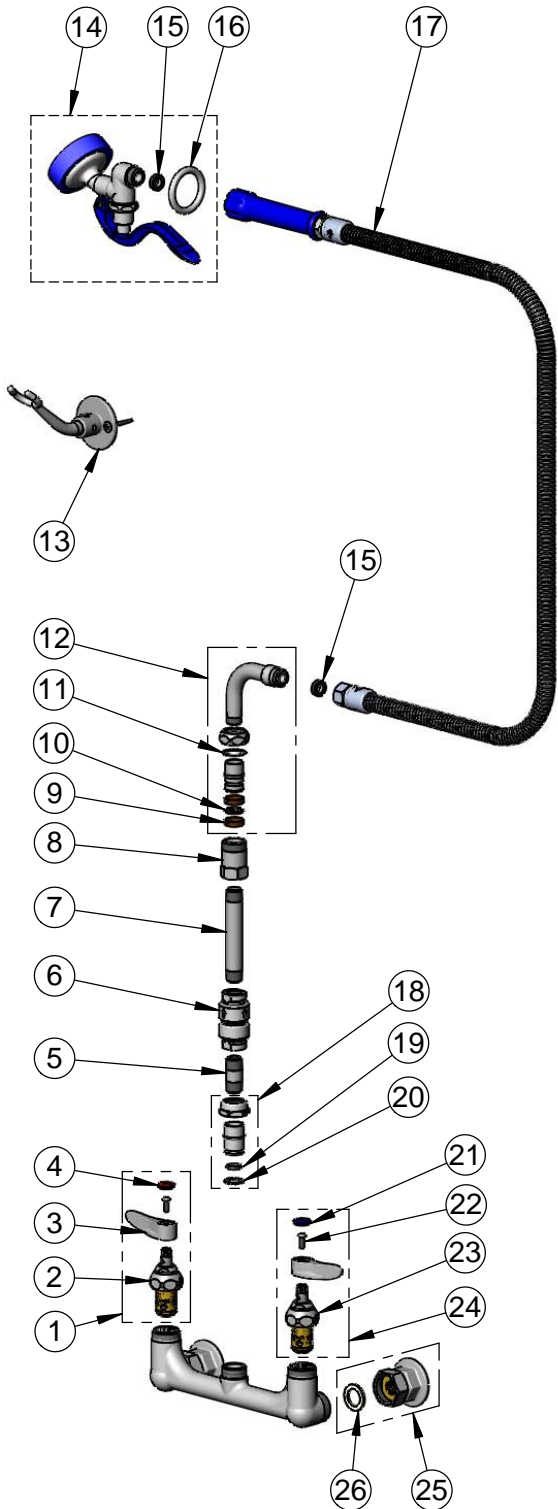
2 Saddleback Cove / P.O. Box 1088  
Travelers Rest, SC 29690

Model No.

**P3-8WESV-00M**

Item No.

Travelers Rest, SC: 800-476-4103 • Simi Valley, CA: 800-423-0150 • Fax: 864-834-3518 • www.tsbrass.com



ITEM NO.	SALES NO.	DESCRIPTION
1	002712-40NS	Quarter-Turn Eterna Cartridge w/ Spring Check, Handle, Red Index & Screw, RTC
2	012443-40NS	Quarter-Turn Eterna Cartridge w/ Spring Check, RTC
3	001638-45NS	Lever Handle (New Style)
4	001193-19NS	Red Button Index, Press-in
5	002341-40	Nipple, 3/8" NPT x 1 1/2"
6	B-0970-FE	3/8" NPT Vacuum Breaker
7	000360-40	Nipple, 3/8" NPT x 4"
8	054X	Swivel Body
9	011429-45	Swivel Sleeves (2)
10	001074-45	O-Ring
11	009538-45	Swivel Washer
12	034A	90° Swivel Adapter
13	B-0166	Hanger Hook w/ Mounting Screws
14	EB-0107-035	High Flow Angled Spray Valve (Blue)
15	010476-45	#27 Washer
16	000907-45	Spray Valve Hold Down Ring
17	EB-0096-H	96" Flexible Stainless Steel Hose w/ Blue Grip Handle
18	EZ-K	EasyInstall Kit
19	001065-45	O-Ring
20	014200-45	Star Washer, Anti-Rotation
21	018506-19NS	Blue Button Index, Press-in
22	000925-45	Lab Handle Screw
23	012442-40NS	Quarter-Turn Eterna Cartridge w/ Spring Check, LTC
24	002711-40NS	Quarter-Turn Eterna Cartridge w/ Spring Check, Handle, Blue Index & Screw, LTC
25	00AA	1/2" NPT Female Eccentric Flange
26	001019-45	Coupling Nut Washer

**Product Specifications:**

8" Wall Mount Mixing Faucet, Quarter-Turn Eterna Cartridges w/ Spring Checks, Lever Handles, Vacuum Breaker, 96" Flexible Stainless Steel Hose, High Flow Angled Spray Valve (Blue), Hanger Hook & 1/2" NPT Female Inlets

**Product Compliance:**

ASME A112.18.1 / CSA B125.1  
NSF 61 Exempt (Non-Potable)  
EPA Act 2005 Non-Compliant (PRSV)  
CSA B64.8 (VB)