



# T&S BRASS AND BRONZE WORKS, INC.

2 Saddleback Cove / P.O. Box 1088  
Travelers Rest, SC 29690

Model No.

**P3-8DESN12PZJUE**

Item No.

Travelers Rest, SC: 800-476-4103 • Simi Valley, CA: 800-423-0150 • Fax: 864-834-3518 • www.tsbrass.com

This Space for Architect/Engineer Approval

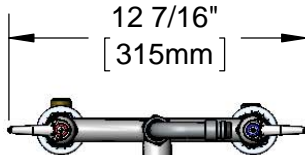
Job Name \_\_\_\_\_ Date \_\_\_\_\_

Model Specified \_\_\_\_\_ Quantity \_\_\_\_\_

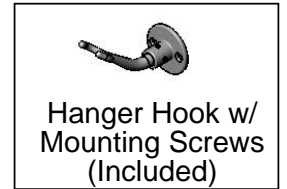
Customer/Wholesaler \_\_\_\_\_

Contractor \_\_\_\_\_

Architect/Engineer \_\_\_\_\_



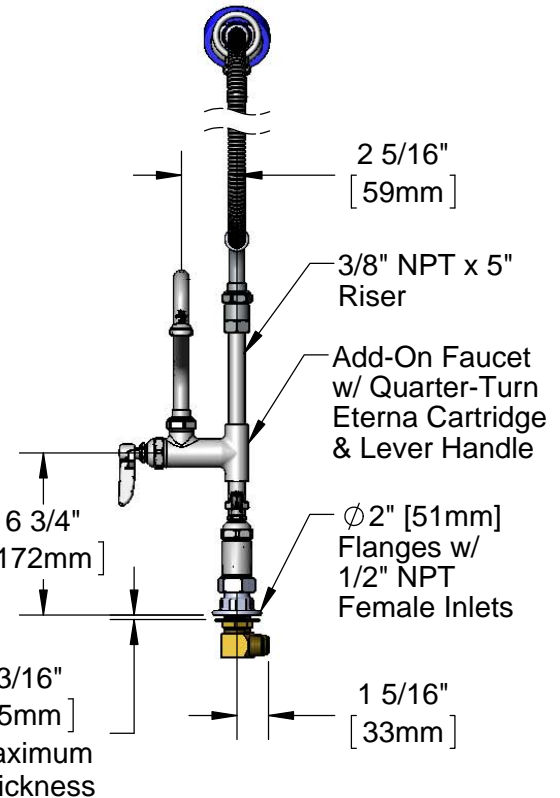
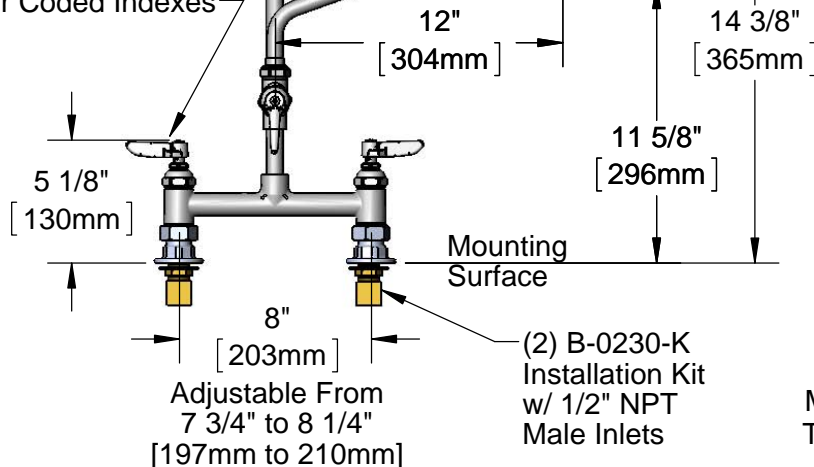
062X  
12" Swing Nozzle w/  
Stream Regulator Outlet



EB-0107-035  
High-Flow Blue  
Spray Valve w/  
Angled Spray  
Face

72" Flexible Stainless  
Steel Hose

Swivel Adapter  
Swivel Body  
Quarter-Turn Eterna  
Cartridges w/ Spring  
Checks & Lever Handles  
w/ Color Coded Indexes



Rough-In Requirement:  
(2)  $\phi$  1" [25mm] Mounting Holes

Product Specifications:  
8" Deck Mount Mixing Faucet, Quarter-Turn Eterna Cartridges w/ Spring Checks, Lever Handles, Add-On Faucet Faucet, 12" Swing Nozzle, 72" Flexible Stainless Steel Hose, High Flow Angled Spray Valve (Blue), Hanger Hook & 1/2" NPT Male Inlet Installation Kit

Product Compliance:  
ASME A112.18.1 / CSA B125.1  
NSF 61 Exempt (Non-Potable)  
EPA Act 2005 Non-Compliant (PRSV)



# T&S BRASS AND BRONZE WORKS, INC.

2 Saddleback Cove / P.O. Box 1088  
Travelers Rest, SC 29690

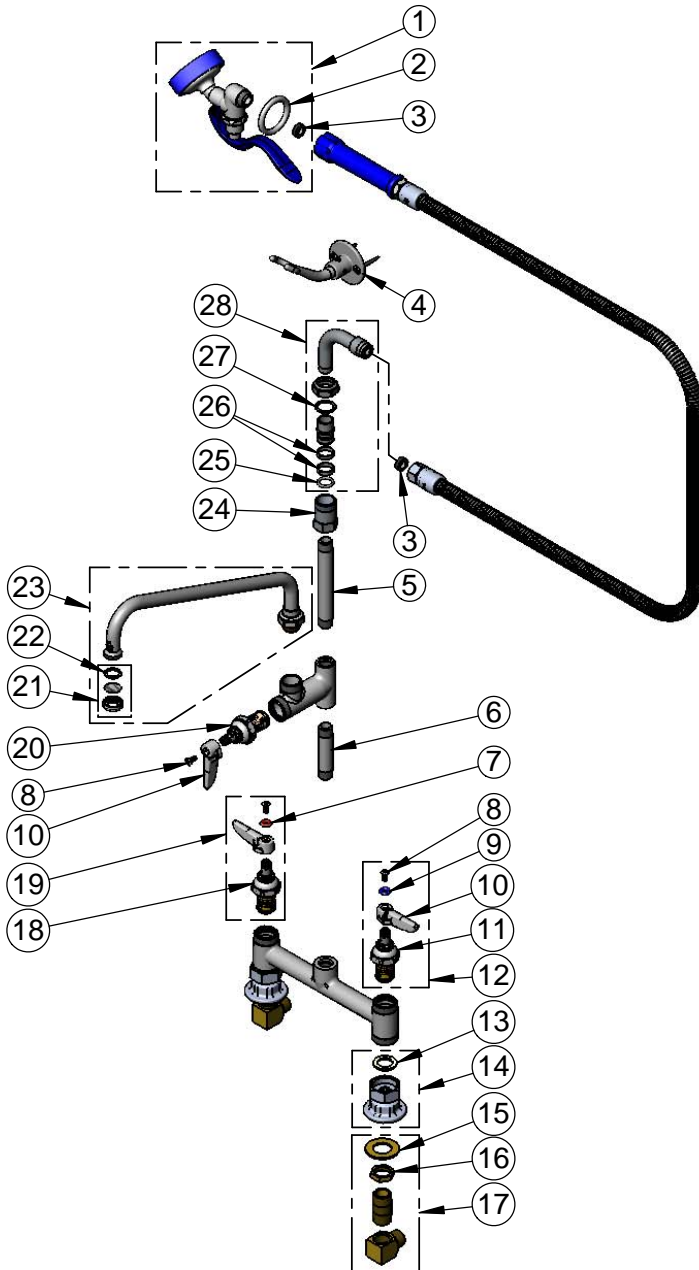
Model No.

**P3-8DESN12PZJUE**

Item No.

Travelers Rest, SC: 800-476-4103 • Simi Valley, CA: 800-423-0150 • Fax: 864-834-3518 • www.tsbrass.com

ITEM NO.	SALES NO.	DESCRIPTION
1	EB-0107-035	High Flow Angled Spray Valve (Blue)
2	000907-45	Spray Valve Hold Down Ring
3	010476-45	#27 Washer
4	B-0166	Wall Hook
5	000361-40	Nipple, 3/8" NPT x 5"
6	000358-40	Nipple, 3/8" NPT x 3"
7	001661-45	Red Index-HW
8	000922-45	Lever Handle Screw
9	001660-45	Blue Index-CW
10	001638-45	Lever Handle
11	012442-40	Quarter-Turn Eterna Cartridge, LTC w/ Spring Check
12	002711-40	Quarter-Turn Eterna Cartridge, LTC w/ Spring Check, Handle, Index & Screw
13	001019-45	Coupling Nut Washer
14	00AA	1/2" NPT Female Eccentric Flange
15	000999-45	Brass Lock Washer
16	002954-45	Shank Lock Nut
17	B-0230-K	Short Elbow Installation Kit
18	012443-40	Quarter-Turn Eterna Cartridge, RTC w/ Spring Check
19	002712-40	Quarter-Turn Eterna Cartridge, RTC w/ Spring Check, Handle, Index & Screw
20	005960-40QT	Quarter-Turn Eterna Cartridge, RTC
21	B-PT	Stream Regulator Outlet
22	001048-45	Nozzle Tip Washer
23	062X	12" Swing Nozzle
24	054X	Swivel Body
25	001074-45	O-Ring
26	011429-45	Swivel Sleeves (2)
27	009538-45	Swivel Washer
28	034A	90° Swivel Adapter Arm



**Product Specifications:**

8" Deck Mount Mixing Faucet, Quarter-Turn Eterna Cartridges w/ Spring Checks, Lever Handles, Add-On Faucet Faucet, 12" Swing Nozzle, 72" Flexible Stainless Steel Hose, High Flow Angled Spray Valve (Blue), Hanger Hook & 1/2" NPT Male Inlet Installation Kit

**Product Compliance:**

ASME A112.18.1 / CSA B125.1  
NSF 61 Exempt (Non-Potable)  
EPA Act 2005 Non-Compliant (PRSV)