



T&S BRASS AND BRONZE WORKS, INC.
 2 Saddleback Cove / P.O. Box 1088
 Travelers Rest, SC 29690

Model No.
MV-2522-43

Item No.

Travelers Rest, SC: 800-476-4103 • Simi Valley, CA: 800-423-0150 • Fax: 864-834-3518 • www.tsbrass.com

This Space for Architect/Engineer Approval

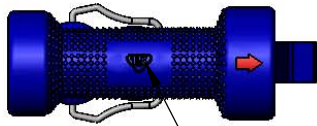
Job Name _____ Date _____

Model Specified _____ Quantity _____

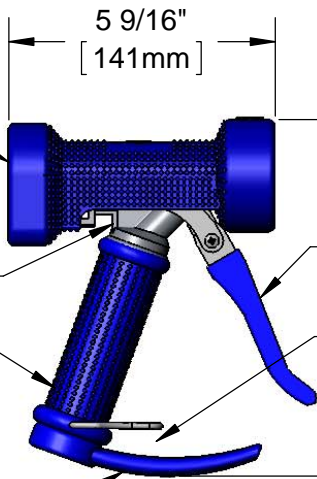
Customer/Wholesaler _____

Contractor _____

Architect/Engineer _____



T&S Logo on Top



5 9/16"
[141mm]

Blue Rubber Cover

Stainless Steel Valve Body

Blue Rubber Cover

Front Trigger Style w/ Blue Rubber Cover

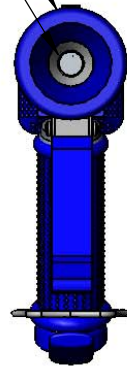
Retractable Trigger Hold Down Clip

7 7/16"
[189mm]

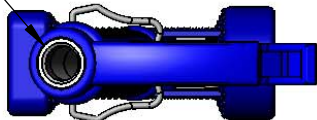
Trigger Guard

Ø 2 5/16"
[Ø 59mm]

Ø 9/16"
Flow Orifice



1/2" NPT Female Inlet



1/2" NPT x 1"
Hose Barb Connector
(Included)

Product Specifications:
 Stainless Steel Water Gun w/ Blue Rubber Cover, Front Style Trigger,
 Ø 9/16" Flow Orifice & 1/2" NPT x 1" Hose Barb Connector

Product Compliance:
 NSF 61 Exempt (Non-Potable)