



**T&S BRASS AND BRONZE WORKS, INC.**  
 2 Saddleback Cove / P.O. Box 1088  
 Travelers Rest, SC 29690

Model No.  
**MV-2516-43**

Item No.

Travelers Rest, SC: 800-476-4103 • Simi Valley, CA: 800-423-0150 • Fax: 864-834-3518 • www.tsbrass.com

This Space for Architect/Engineer Approval

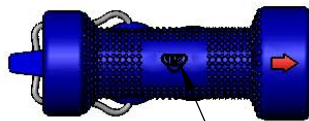
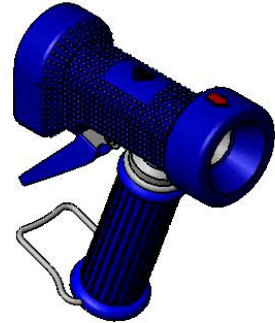
Job Name \_\_\_\_\_ Date \_\_\_\_\_

Model Specified \_\_\_\_\_ Quantity \_\_\_\_\_

Customer/Wholesaler \_\_\_\_\_

Contractor \_\_\_\_\_

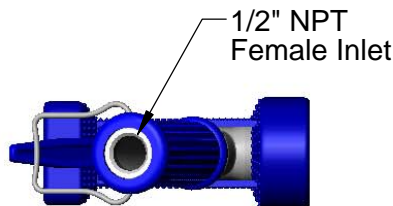
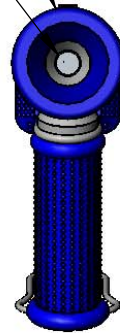
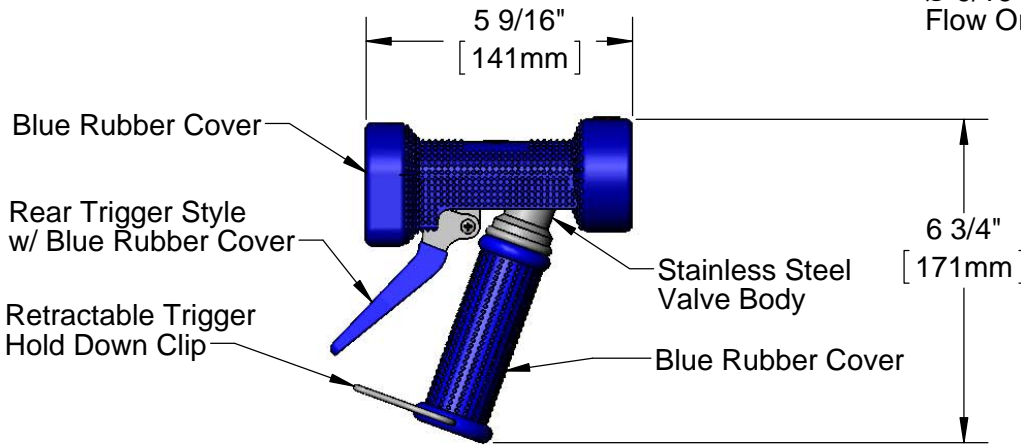
Architect/Engineer \_\_\_\_\_



T&S Logo on Top

Ø 2 5/16"  
 [Ø 59mm]

Ø 9/16"  
 Flow Orifice



1/2" NPT x 1"  
 Hose Barb Connector  
 (Included)

Product Specifications:  
 Stainless Steel Water Gun w/ Blue Rubber Cover, Rear Style Trigger,  
 Ø 9/16" Flow Orifice & 1/2" NPT x 1" Hose Barb Connector

Product Compliance:  
 NSF 61 Exempt (Non-Potable)