



# T&S BRASS AND BRONZE WORKS, INC.

2 Saddleback Cove / P.O. Box 1088  
Travelers Rest, SC 29690



REG. #A2601  
ISO #9001

Model No.

**MV-1907-11CW**

Item No.

Travelers Rest, SC: 800-476-4103 Simi Valley, CA: 800-423-0150 Fax: 864-834-3518 www.tsbrass.com

This Space for Architect/Engineer Approval

Job Name \_\_\_\_\_ Date \_\_\_\_\_

Model Specified \_\_\_\_\_ Quantity \_\_\_\_\_

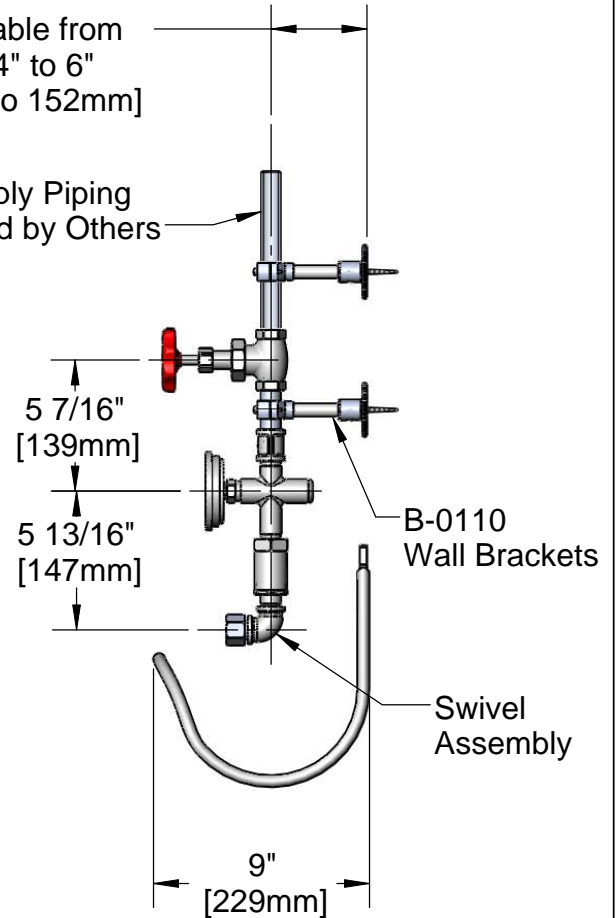
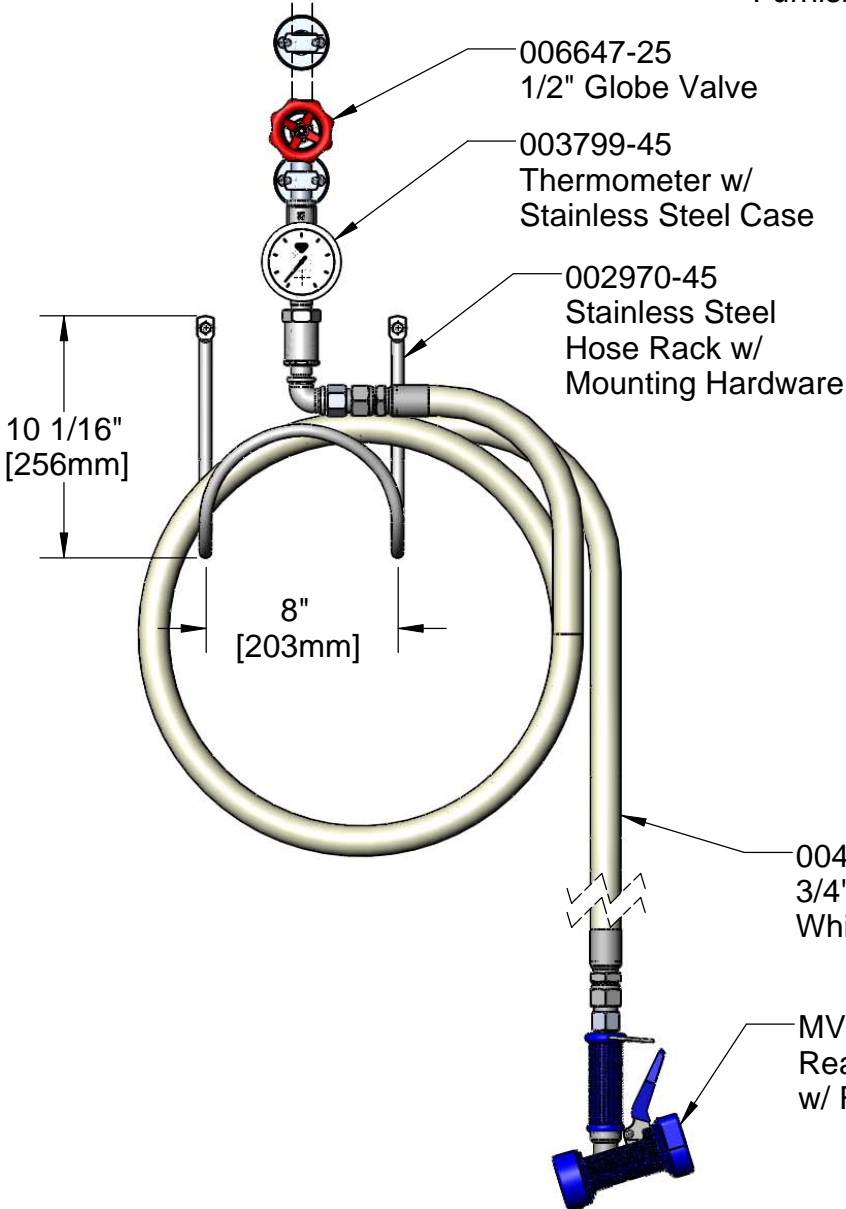
Customer/Wholesaler \_\_\_\_\_

Contractor \_\_\_\_\_

Architect/Engineer \_\_\_\_\_

Adjustable from  
1 1/4" to 6"  
[32mm to 152mm]

1/2" Supply Piping  
Furnished by Others



Product Specifications:

**Chrome Plated Washdown Station w/ 1/2" Inlet,  
Single Service Valve, Thermometer, 50 Ft. Hose,  
Stainless Steel Water Gun and Hose Rack**

Drawn <b>DMH</b>	Checked <b>JRM</b>	Approved <b>JHB</b>
Scale: <b>1:8</b>		Date: <b>11/9/09</b>



**T&S BRASS AND BRONZE WORKS, INC.**  
 2 Saddleback Cove / P.O. Box 1088  
 Travelers Rest, SC 29690



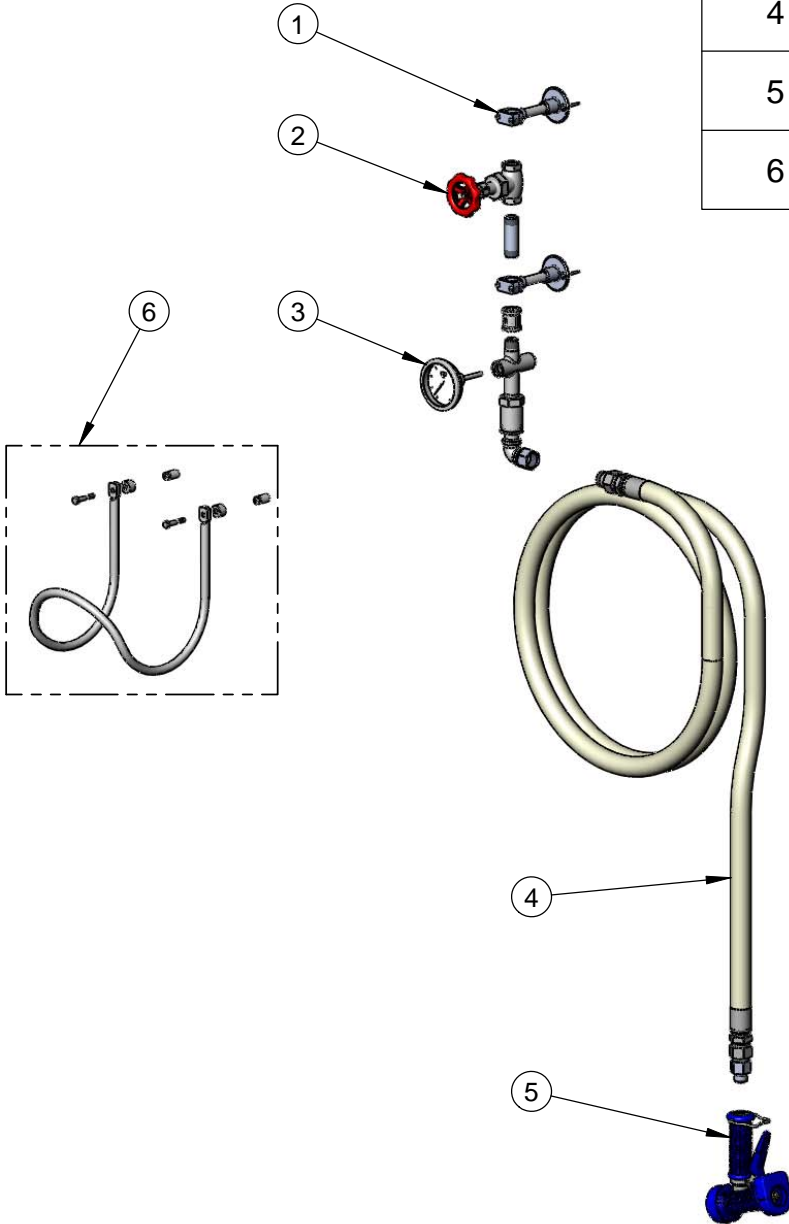
REG. #A2601  
 ISO #9001

Model No.  
**MV-1907-11CW**

Item No.

Travelers Rest, SC: 800-476-4103 Simi Valley, CA: 800-423-0150 Fax: 864-834-3518 www.tsbrass.com

ITEM NO.	SALES NO.	DESCRIPTION
1	B-0110	Bracket Assembly, 6" Wall
2	006647-25	1/2" Globe Valve
3	003799-45	Thermometer, Bi-Metallic
4	004980-40	50' of 3/4" Hose w/ Adapters
5	MV-2516-24	5/16" Water Gun, Rear Trigger
6	002970-45	Hose Rack w/ Mounting Hardware



Product Specifications:

Chrome Plated Washdown Station w/ 1/2" Inlet,  
 Single Service Valve, Thermometer, 50 Ft. Hose,  
 Stainless Steel Water Gun and Hose Rack

Drawn <b>DMH</b>	Checked <b>JRM</b>	Approved <b>JHB</b>
Scale: <b>1:12</b>		Date: <b>11/9/09</b>