



T&S BRASS AND BRONZE WORKS, INC.

2 Saddleback Cove / P.O. Box 1088
Travelers Rest, SC 29690

Model No.

MV-1907-11CW-ER

Item No.

Travelers Rest, SC: 800-476-4103 • Simi Valley, CA: 800-423-0150 • Fax: 864-834-3518 • www.tsbrass.com

This Space for Architect/Engineer Approval

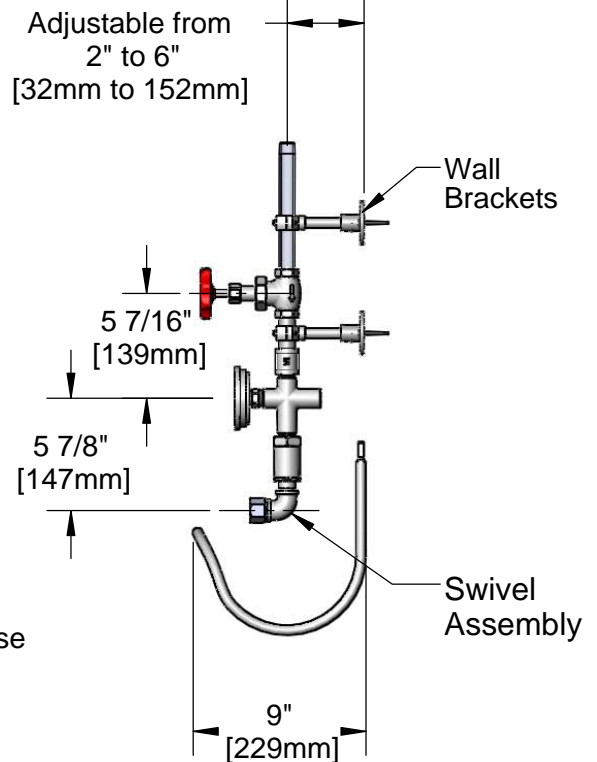
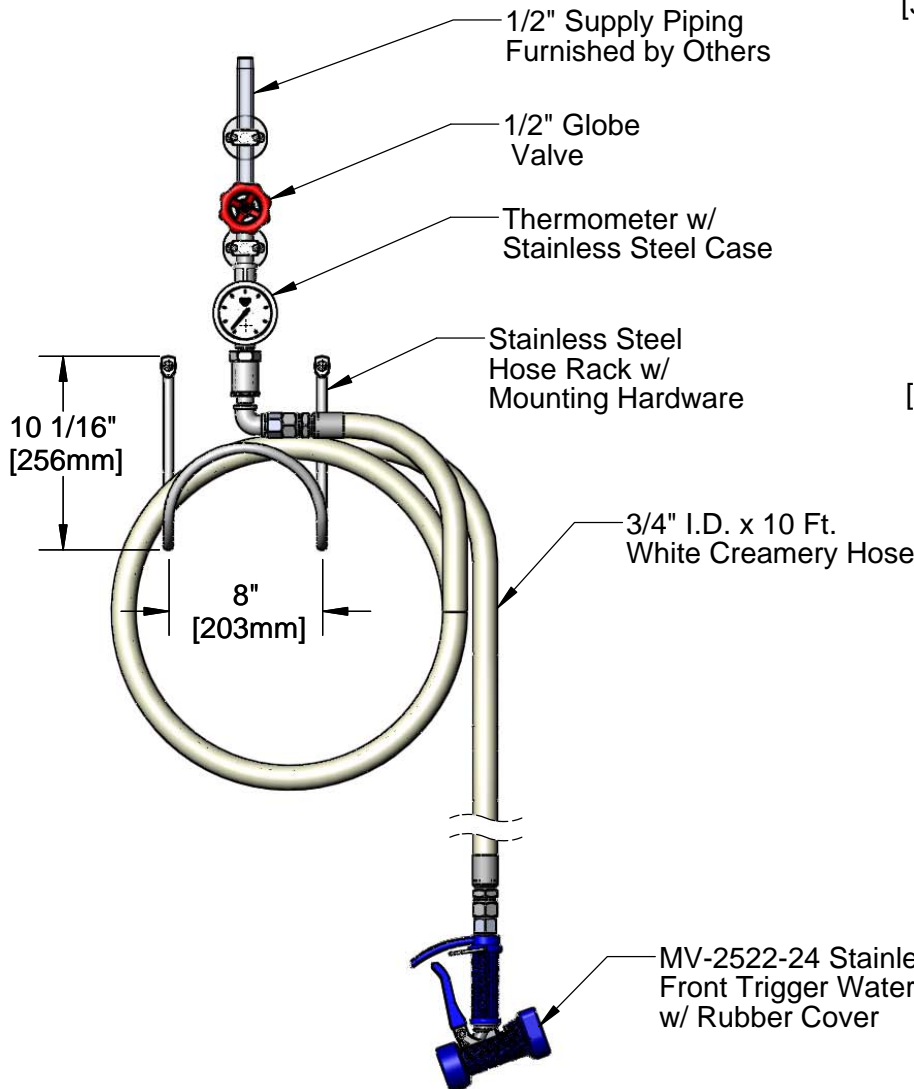
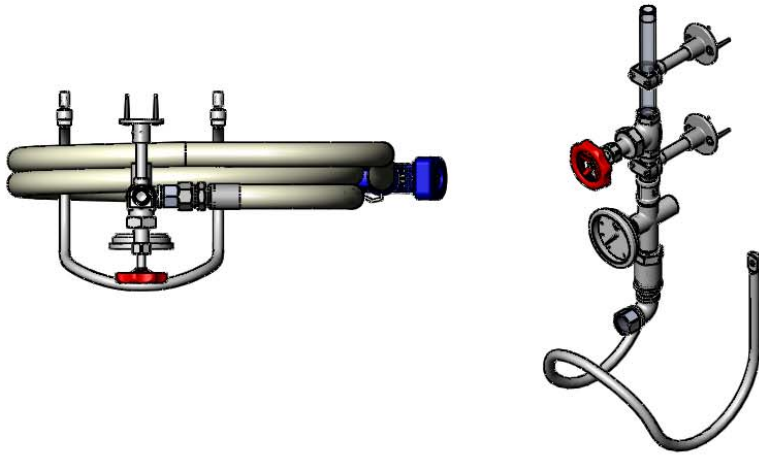
Job Name _____ Date _____

Model Specified _____ Quantity _____

Customer/Wholesaler _____

Contractor _____

Architect/Engineer _____



Product Specifications:
Chrome Plated Washdown Station w/ 1/2" Inlet, Single Service Valve,
Thermometer, 10 Ft. Hose, Stainless Steel Water Gun and Hose Rack

Product Compliance:
NSF 61 Exempt (Non-Potable)



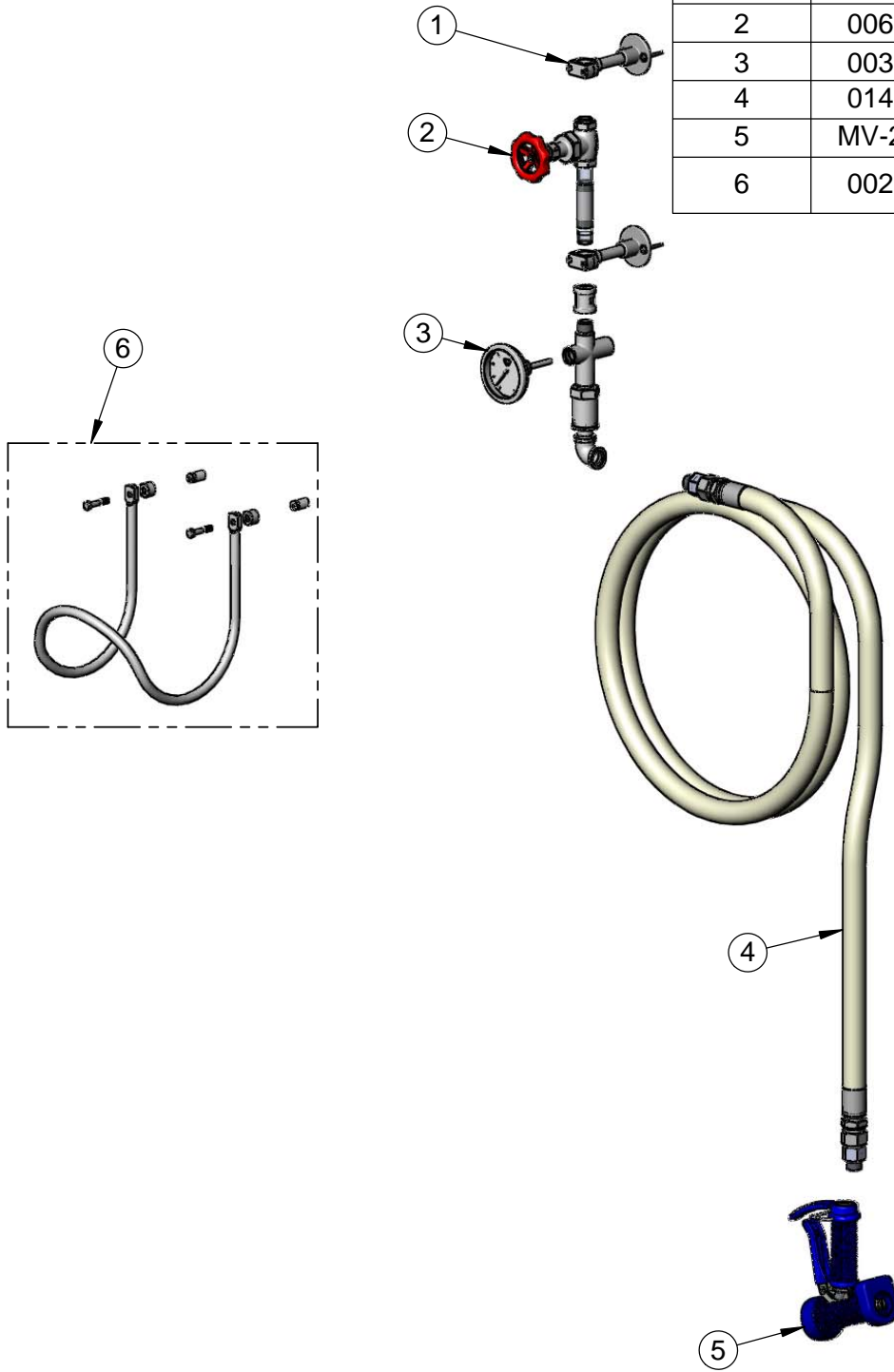
T&S BRASS AND BRONZE WORKS, INC.
 2 Saddleback Cove / P.O. Box 1088
 Travelers Rest, SC 29690

Model No.
MV-1907-11CW-ER

Item No.

Travelers Rest, SC: 800-476-4103 • Simi Valley, CA: 800-423-0150 • Fax: 864-834-3518 • www.tsbrass.com

ITEM NO.	SALES NO.	DESCRIPTION
1	B-0110	Bracket Assembly, 6" Wall
2	006647-25	1/2" Globe Valve
3	003799-45	Thermometer, Bi-Metallic
4	014034-35	10' of 3/4" Hose w/ Adapters
5	MV-2522-24	SS Water Gun, Front Trigger
6	002970-45	Hose Rack w/ Mounting Hardware



Product Specifications:
 Chrome Plated Washdown Station w/ 1/2" Inlet, Single Service Valve,
 Thermometer, 10 Ft. Hose, Stainless Steel Water Gun and Hose Rack

Product Compliance:
 NSF 61 Exempt (Non-Potable)