



T&S BRASS AND BRONZE WORKS, INC.

2 Saddleback Cove / P.O. Box 1088
Travelers Rest, SC 29690

Model No.

MPZ-8WWN-08

Item No.

Travelers Rest, SC: 800-476-4103 • Simi Valley, CA: 800-423-0150 • Fax: 864-834-3518 • www.tsbrass.com

This Space for Architect/Engineer Approval

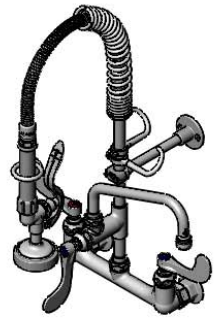
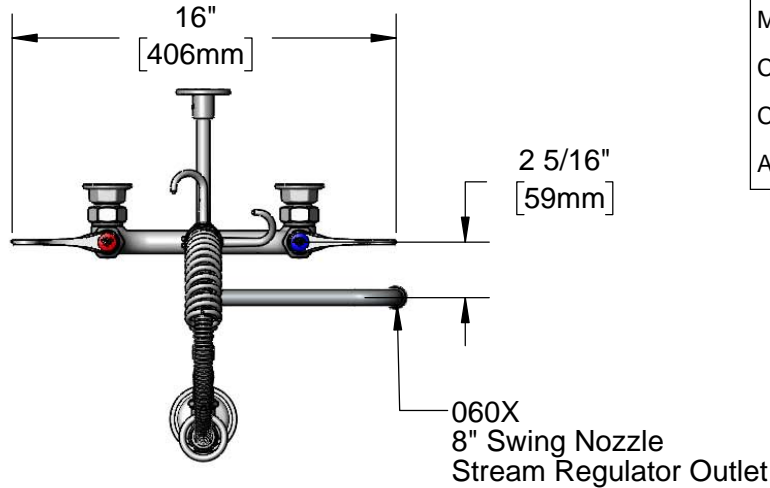
Job Name _____ Date _____

Model Specified _____ Quantity _____

Customer/Wholesaler _____

Contractor _____

Architect/Engineer _____



24" Flexible Stainless Steel Hose w/ Spring & Spray Valve

Items Not Shown For Clarity

3/8" NPT x 8" Riser

B-0107
1.42 GPM
Spray Valve

Finger Hook

B-0109-01
6" Wall Bracket

22 1/8" [561mm]

5 5/16" [135mm]

8" [204mm]

10 11/16" [271mm]

7 9/16" [191mm]

5 1/16" [129mm]

EasyInstall Add-On Faucet w/ Quarter-Turn Eterna Cartridge & Wrist Action Handle

8" [203mm]

Quarter-Turn Eterna Cartridges w/ Spring Checks & Wrist Action Handles

7 3/8" [187mm]

Ø 2" [51mm] Flanges w/ 1/2" NPT Female Inlets

Adjustable From 7 3/4" to 8 1/4" [197mm to 210mm]

Mounting Surface

Product Specifications:

Pre-Rinse Unit: EasyInstall 8" Wall Mount Mixing Faucet, Quarter-Turn Eterna Cartridges w/ Spring Checks, 4" Wrist Action Handles, Add-On Faucet w/ 8" Swing Nozzle, Compact Spring, 24" Flexible Stainless Steel Hose, 1.42 GPM Spray Valve, 6" Wall Bracket & 1/2" NPT Female Inlets

Product Compliance:

ASME A112.18.1 / CSA B125.1
NSF 61 - Section 9
NSF 372 (Low Lead Content)
EPA Act 2005 (PRSV)
For Commercial Use Only



T&S BRASS AND BRONZE WORKS, INC.

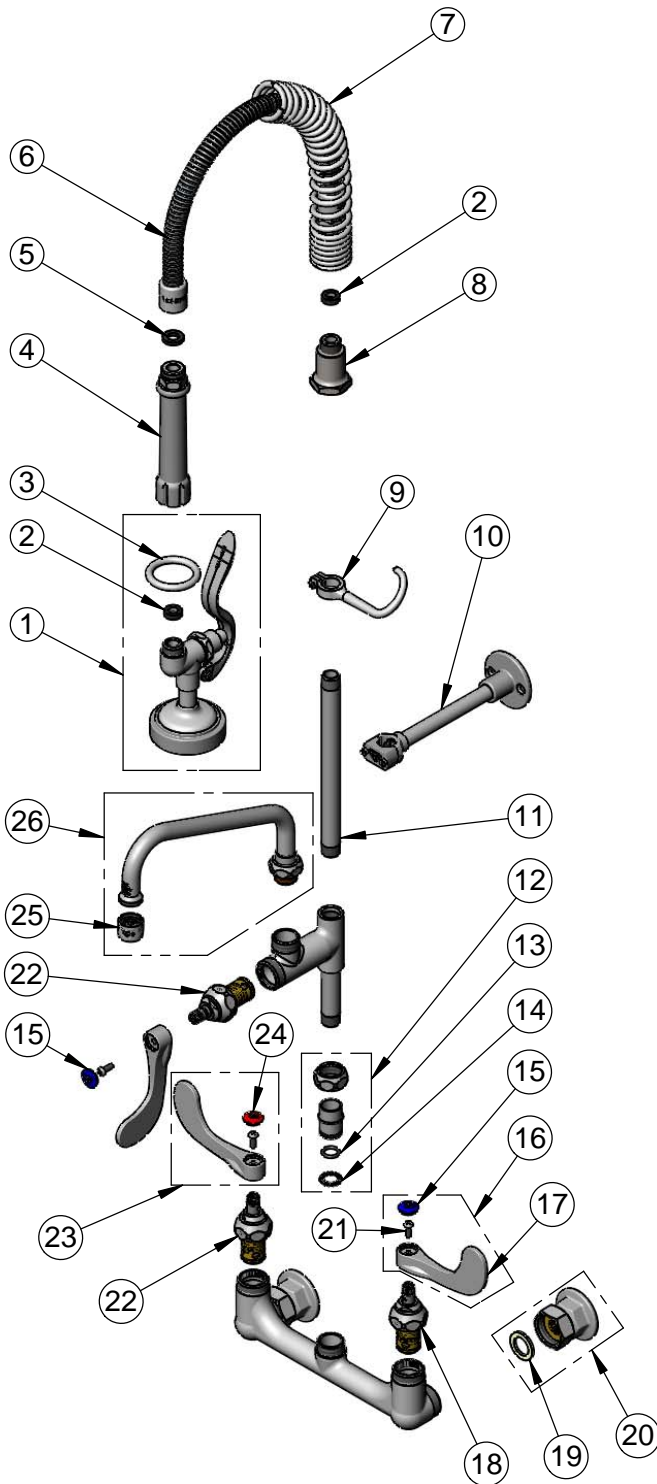
2 Saddleback Cove / P.O. Box 1088
Travelers Rest, SC 29690

Model No.

MPZ-8WWN-08

Item No.

Travelers Rest, SC: 800-476-4103 • Simi Valley, CA: 800-423-0150 • Fax: 864-834-3518 • www.tsbrass.com



ITEM NO.	SALES NO.	DESCRIPTION
1	B-0107	1.42 GPM Spray Valve
2	010476-45	#27 Washer
3	000907-45	Spray Valve Hold Down Ring
4	002987-40	Grip Handle
5	001014-45	Washer, B-0100 Hose Barrel
6	B-0024-H2A	24" Flexible Stainless Steel Hose, Less Handle
7	016795-45	Compact Spring
8	000821-40	Spring Body
9	004R	Finger Hook
10	B-0109-01	6" Wall Bracket
11	078X	Nipple, 3/8" NPT x 8"
12	EZ-K	EasyInstall Kit: Nut, Bushing, O-Ring & Lock Washer
13	001065-45	O-Ring
14	014200-45	Star Washer, Anti-Rotation
15	018506-19NS	Blue Button Index, Press-in
16	B-WH4C-NS	Wrist Action Handle, Blue Index & Screw
17	B-WH4-NS	Wrist Action Handle (New Style)
18	012442-40NS	Quarter-Turn Eterna Cartridge w/ Spring Check, LTC
19	001019-45	Coupling Nut Washer
20	00AA	1/2" NPT Female Eccentric Flange
21	000925-45	Lab Handle Screw
22	012443-40NS	Quarter-Turn Eterna Cartridge w/ Spring Check, RTC
23	B-WH4H-NS	Wrist Action Handle, Red Index & Screw
24	001193-19NS	Red Button Index, Press-in
25	B-PT	Full Flow Stream Regulator, 55/64-27
26	060X	8" Swing Nozzle

Product Specifications:

Pre-Rinse Unit: EasyInstall 8" Wall Mount Mixing Faucet, Quarter-Turn Eterna Cartridges w/ Spring Checks, 4" Wrist Action Handles, Add-On Faucet w/ 8" Swing Nozzle, Compact Spring, 24" Flexible Stainless Steel Hose, 1.42 GPM Spray Valve, 6" Wall Bracket & 1/2" NPT Female Inlets

Product Compliance:

ASME A112.18.1 / CSA B125.1
NSF 61 - Section 9
NSF 372 (Low Lead Content)
EPA Act 2005 (PRSV)
For Commercial Use Only