



# T&S BRASS AND BRONZE WORKS, INC.

2 Saddleback Cove / P.O. Box 1088  
Travelers Rest, SC 29690

Model No.  
**MPZ-8WWN-08-CR**

Item No.

Travelers Rest, SC: 800-476-4103 • Simi Valley, CA: 800-423-0150 • Fax: 864-834-3518 • www.tsbrass.com

This Space for Architect/Engineer Approval

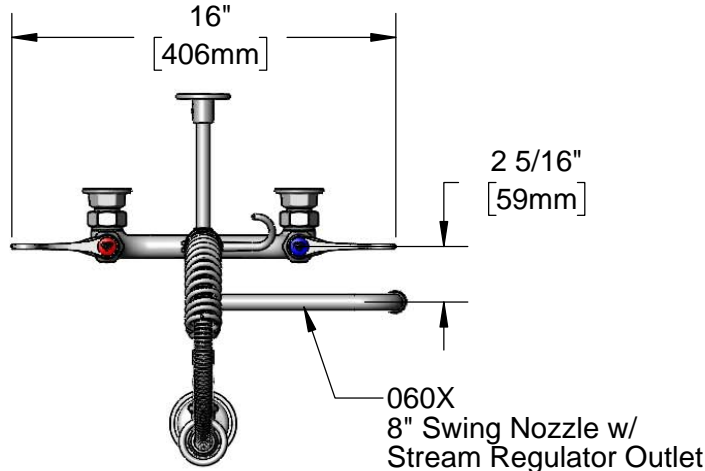
Job Name \_\_\_\_\_ Date \_\_\_\_\_

Model Specified \_\_\_\_\_ Quantity \_\_\_\_\_

Customer/Wholesaler \_\_\_\_\_

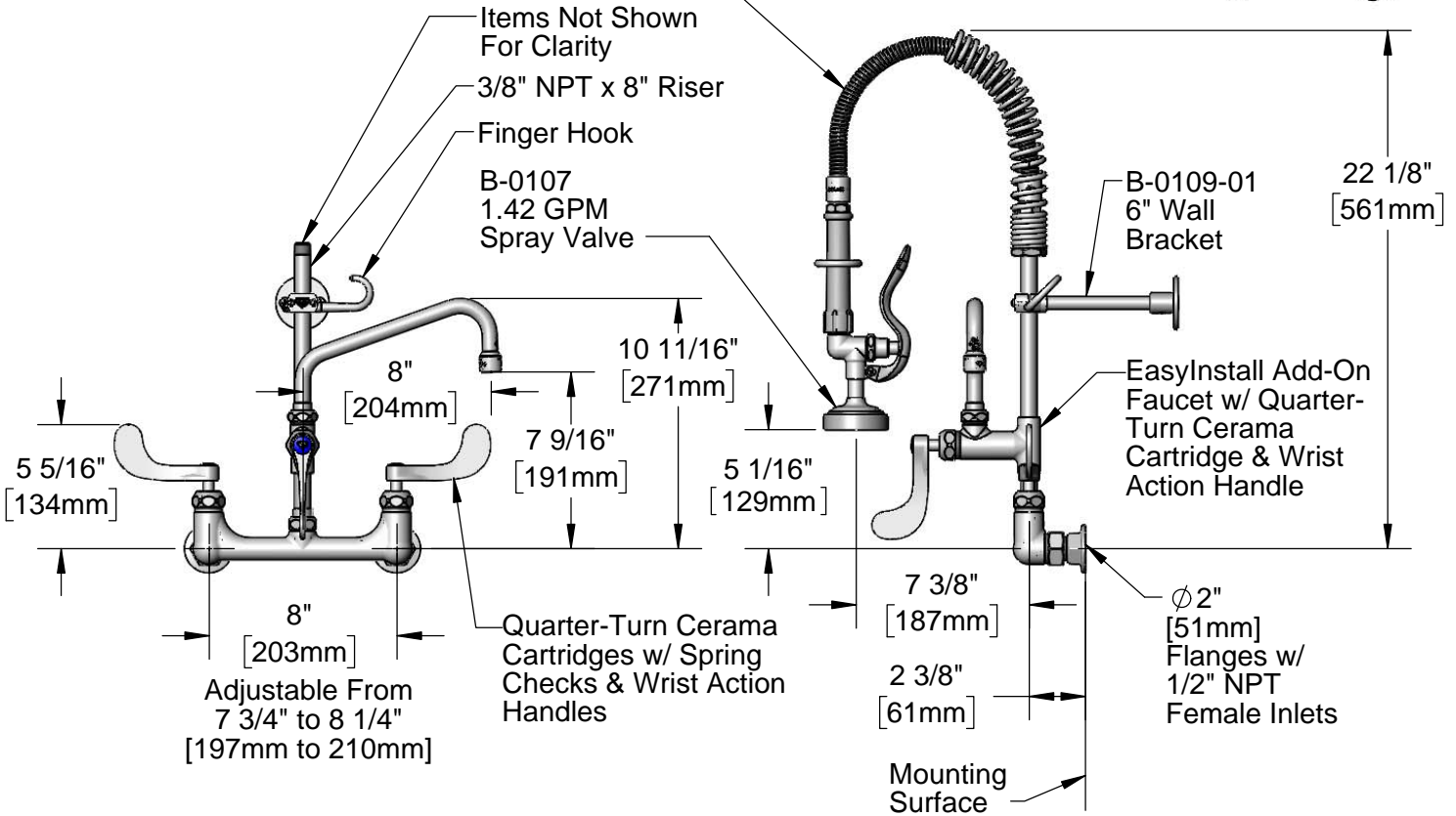
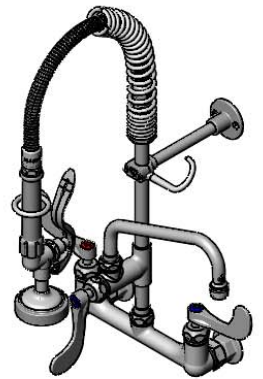
Contractor \_\_\_\_\_

Architect/Engineer \_\_\_\_\_



060X  
8" Swing Nozzle w/  
Stream Regulator Outlet

24" Flexible Stainless  
Steel Hose w/ Spring  
& Spray Valve



**Product Specifications:**

Pre-Rinse Unit: EasyInstall 8" Wall Mount Mixing Faucet, Quarter-Turn Cerama Cartridges w/ Check Valves, 4" Wrist Action Handles, Add-On Faucet w/ 8" Swing Nozzle, Compact Spring, 24" Flexible Stainless Steel Hose, 1.42 GPM Spray Valve, 6" Wall Bracket & 1/2" NPT Female Inlets

**Product Compliance:**

ASME A112.18.1 / CSA B125.1  
NSF 61 - Section 9  
NSF 372 (Low Lead Content)  
EPA Act 2005 (PRSV)  
For Commercial Use Only



# T&S BRASS AND BRONZE WORKS, INC.

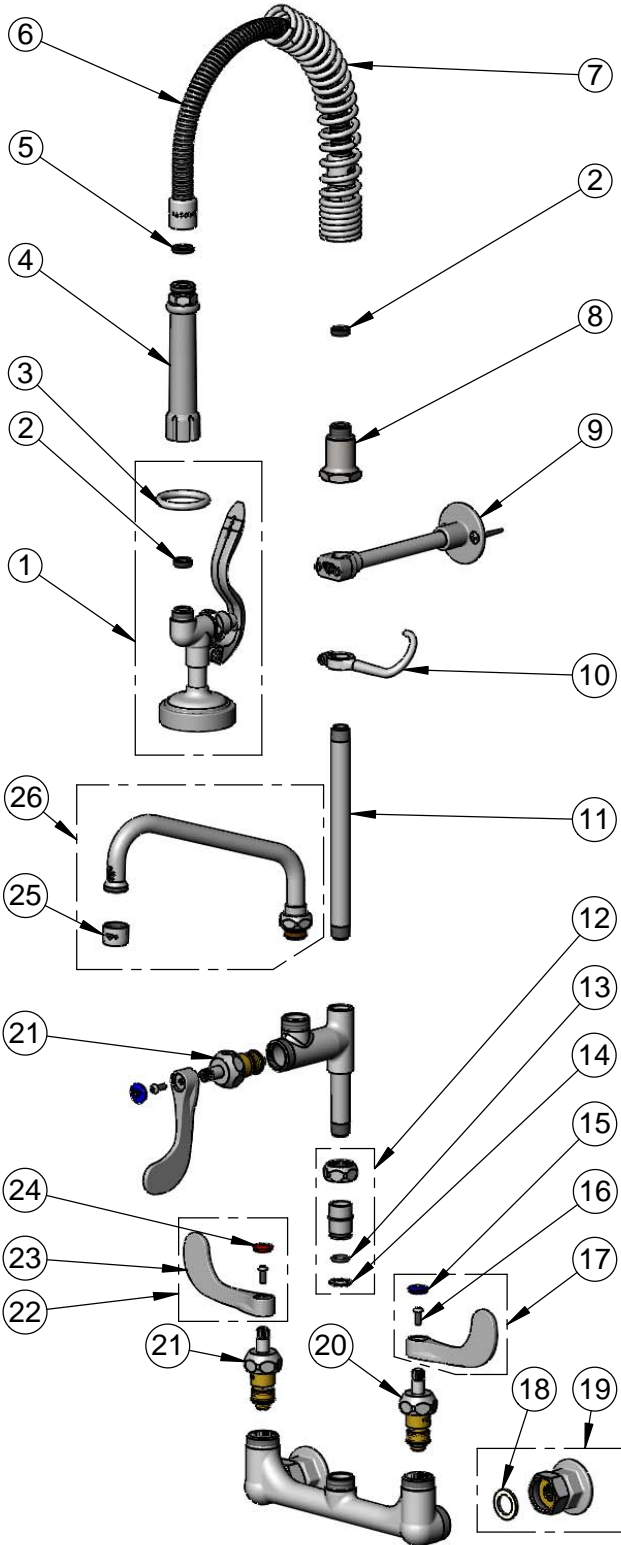
2 Saddleback Cove / P.O. Box 1088  
Travelers Rest, SC 29690

Model No.

**MPZ-8WWN-08-CR**

Item No.

Travelers Rest, SC: 800-476-4103 • Simi Valley, CA: 800-423-0150 • Fax: 864-834-3518 • www.tsbrass.com



| ITEM NO. | SALES NO.   | DESCRIPTION                                         |
|----------|-------------|-----------------------------------------------------|
| 1        | B-0107      | 1.42 GPM Spray Valve                                |
| 2        | 010476-45   | #27 Washer                                          |
| 3        | 000907-45   | Spray Valve Hold Down Ring                          |
| 4        | 002987-40   | Grip Handle                                         |
| 5        | 001014-45   | Washer, B-0100 Hose Barrel                          |
| 6        | B-0024-H2A  | 24" Flexible Stainless Steel Hose, Less Handle      |
| 7        | 016795-45   | Compact Spring                                      |
| 8        | 000821-40   | Spring Body                                         |
| 9        | B-0109-01   | 6" Wall Bracket                                     |
| 10       | 004R        | Finger Hook                                         |
| 11       | 078X        | 3/8" NPT x 8" Riser                                 |
| 12       | EZ-K        | EasyInstall Kit: Nut, Bushing, O-Ring & Lock Washer |
| 13       | 001065-45   | O-Ring                                              |
| 14       | 014200-45   | Star Washer, Anti-Rotation                          |
| 15       | 018506-19NS | Blue Button Index, Press-in                         |
| 16       | 000925-45   | Lab Handle Screw                                    |
| 17       | B-WH4C-NS   | Wrist Action Handle, Blue Index & Screw             |
| 18       | 001019-45   | Coupling Nut Washer                                 |
| 19       | 00AA        | 1/2" NPT Female Eccentric Flange                    |
| 20       | 012395-25NS | Quarter-Turn Cerama Cartridge w/ Check Valve, LTC   |
| 21       | 012394-25NS | Quarter-Turn Cerama Cartridge w/ Check Valve, RTC   |
| 22       | B-WH4H-NS   | Wrist Action Handle, Red Index & Screw              |
| 23       | B-WH4-NS    | Wrist Action Handle (New Style)                     |
| 24       | 001193-19NS | Red Button Index, Press-in                          |
| 25       | B-PT        | Full Flow Stream Regulator, 55/64-27                |
| 26       | 060X        | 8" Swing Nozzle                                     |

**Product Specifications:**

Pre-Rinse Unit: EasyInstall 8" Wall Mount Mixing Faucet, Quarter-Turn Cerama Cartridges w/ Check Valves, 4" Wrist Action Handles, Add-On Faucet w/ 8" Swing Nozzle, Compact Spring, 24" Flexible Stainless Steel Hose, 1.42 GPM Spray Valve, 6" Wall Bracket & 1/2" NPT Female Inlets

**Product Compliance:**

ASME A112.18.1 / CSA B125.1  
NSF 61 - Section 9  
NSF 372 (Low Lead Content)  
EPA Act 2005 (PRSV)  
For Commercial Use Only