



T&S BRASS AND BRONZE WORKS, INC.

2 Saddleback Cove / P.O. Box 1088
Travelers Rest, SC 29690

Model No.

MPZ-8WCN-08

Item No.

Travelers Rest, SC: 800-476-4103 • Simi Valley, CA: 800-423-0150 • Fax: 864-834-3518 • www.tsbrass.com

This Space for Architect/Engineer Approval

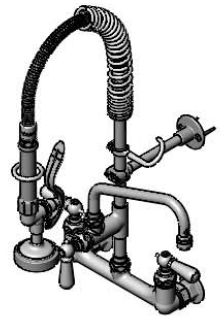
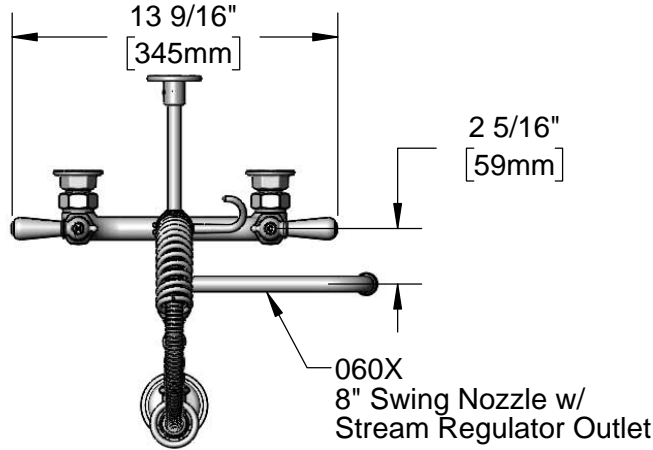
Job Name _____ Date _____

Model Specified _____ Quantity _____

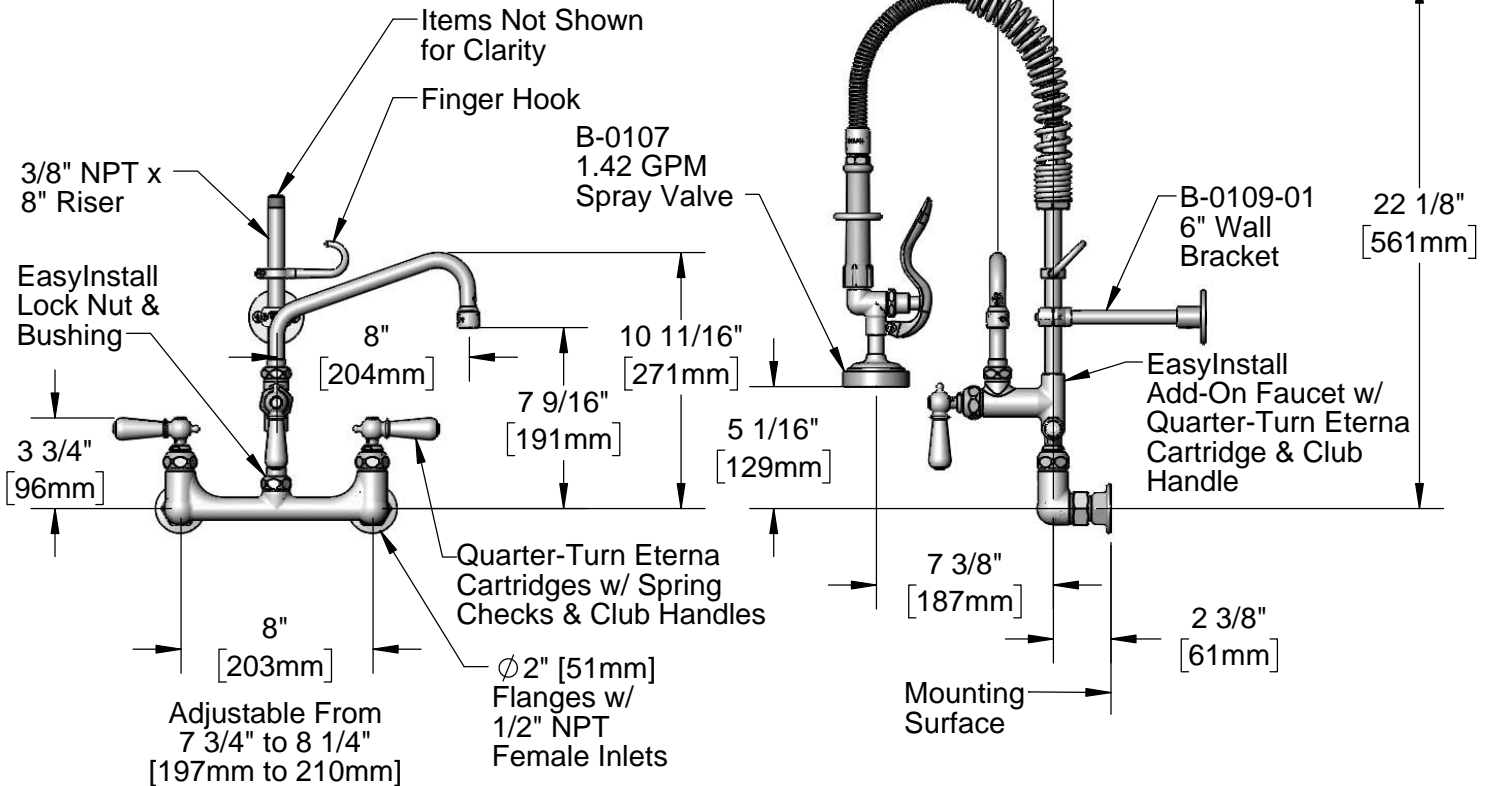
Customer/Wholesaler _____

Contractor _____

Architect/Engineer _____



24" Flexible Stainless Steel Hose w/ Spring & Spray Valve



Product Specifications:

Pre-Rinse Unit: EasyInstall 8" Wall Mount Mixing Faucet, Quarter-Turn Eterna Cartridges w/ Spring Checks, Club Handles, Add-On Faucet w/ 8" Swing Nozzle, Compact Spring, 24" Flexible Stainless Steel Hose, 1.42 GPM Spray Valve, 6" Wall Bracket & 1/2" NPT Female Inlets

Product Compliance:

ASME A112.18.1 / CSA B125.1
NSF 61 - Section 9
NSF 372 (Low Lead Content)
EPA Act 2005 (PRSV)
For Commercial Use Only



T&S BRASS AND BRONZE WORKS, INC.

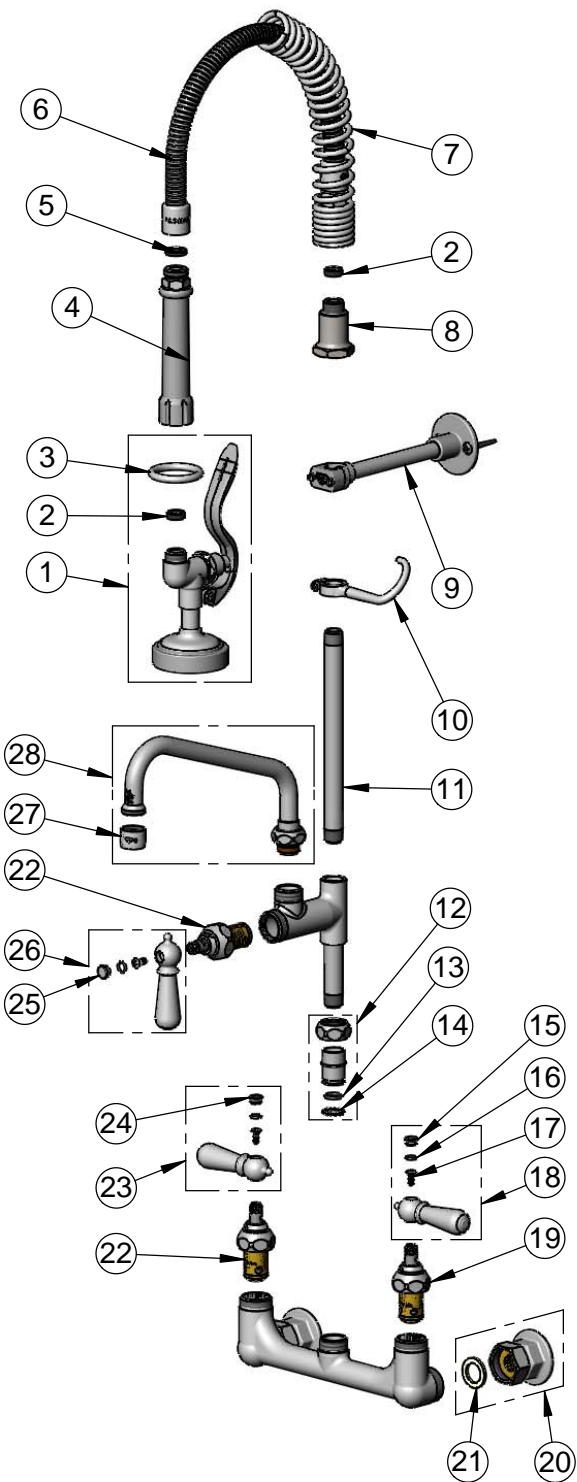
2 Saddleback Cove / P.O. Box 1088
Travelers Rest, SC 29690

Model No.

MPZ-8WCN-08

Item No.

Travelers Rest, SC: 800-476-4103 • Simi Valley, CA: 800-423-0150 • Fax: 864-834-3518 • www.tsbrass.com



ITEM NO.	SALES NO.	DESCRIPTION
1	B-0107	1.42 GPM Spray Valve
2	010476-45	#27 Washer
3	000907-45	Spray Valve Hold Down Ring
4	002987-40	Grip Handle
5	001014-45	Washer, B-0100 Hose Barrel
6	B-0024-H2A	24" Flexible Stainless Steel Hose, Less Handle
7	016795-45	Compact Spring
8	000821-40	Spring Body
9	B-0109-01	6" Wall Bracket
10	004R	Finger Hook
11	078X	Nipple, 3/8" NPT x 8"
12	EZ-K	EasyInstall Kit
13	001065-45	O-Ring
14	014200-45	Star Washer, Anti-Rotation
15	009304-41	Decorative Cap Insert, Cold
16	001066-45	O-Ring
17	000922-45	Lever Handle Screw
18	009331-41	Decorative Club Handle Kit, Cold
19	012442-40NS	Quarter-Turn Eterna Cartridge w/ Spring Check, LTC
20	00AA	1/2" NPT Female Eccentric Flange
21	001019-45	Coupling Nut Washer
22	012443-40NS	Quarter-Turn Eterna Cartridge w/ Spring Check, RTC
23	009332-41	Decorative Club Handle Kit, Hot
24	009303-41	Decorative Cap Insert, Hot
25	009285-40	Cap Insert Blank
26	017181-41	Decorative Club Handle - Blank
27	B-PT	Full Flow Stream Regulator, 55/64-27
28	060X	8" Swing Nozzle

Product Specifications:

Pre-Rinse Unit: EasyInstall 8" Wall Mount Mixing Faucet, Quarter-Turn Eterna Cartridges w/ Spring Checks, Club Handles, Add-On Faucet w/ 8" Swing Nozzle, Compact Spring, 24" Flexible Stainless Steel Hose, 1.42 GPM Spray Valve, 6" Wall Bracket & 1/2" NPT Female Inlets

Product Compliance:

ASME A112.18.1 / CSA B125.1
NSF 61 - Section 9
NSF 372 (Low Lead Content)
EPA Act 2005 (PRSV)
For Commercial Use Only