



T&S BRASS AND BRONZE WORKS, INC.

2 Saddleback Cove / P.O. Box 1088
Travelers Rest, SC 29690

Model No.

MPZ-2DWN-06

Item No.

Travelers Rest, SC: 800-476-4103 • Simi Valley, CA: 800-423-0150 • Fax: 864-834-3518 • www.tsbrass.com

For Commercial Use Only

This Space for Architect/Engineer Approval

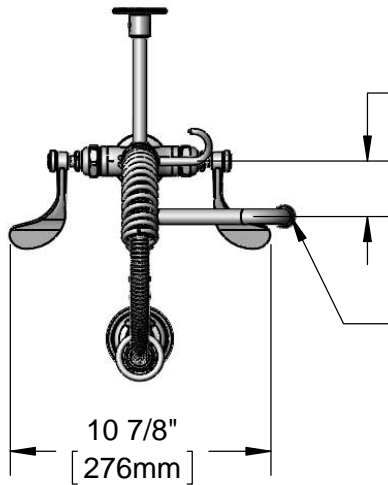
Job Name _____ Date _____

Model Specified _____ Quantity _____

Customer/Wholesaler _____

Contractor _____

Architect/Engineer _____



2 5/16"
[59mm]

10 7/8"
[276mm]

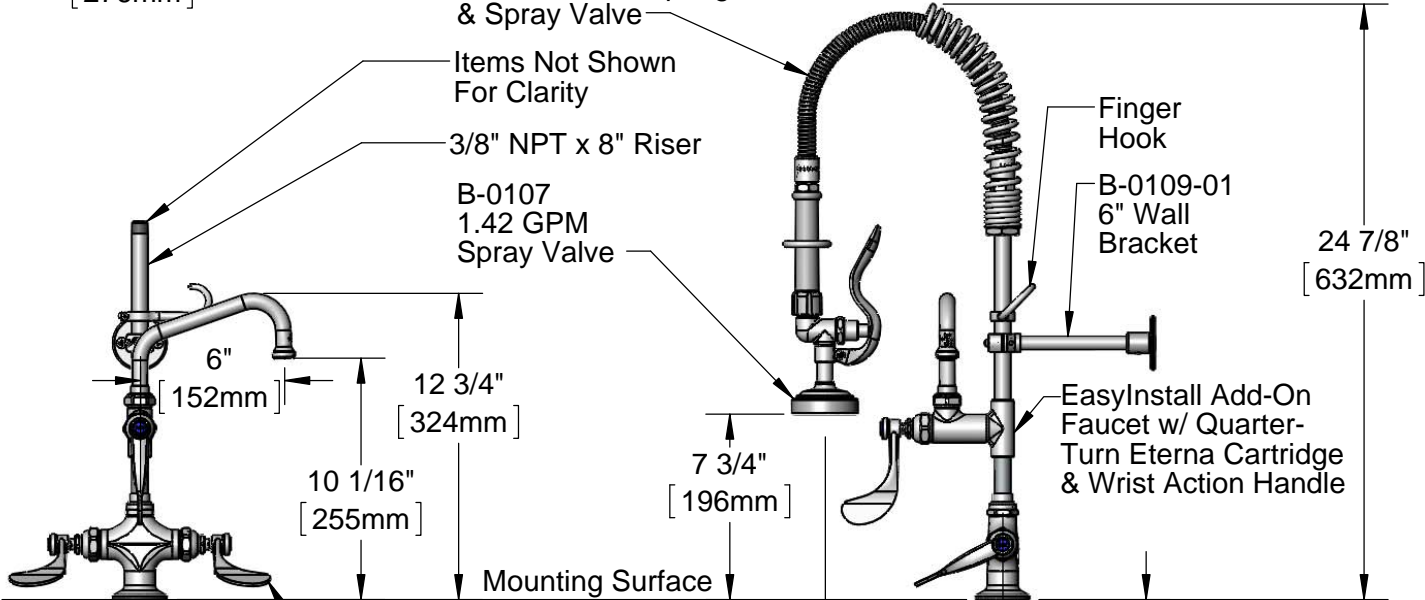
059X
6" Swing Nozzle w/
Stream Regulator Outlet

24" Flexible Stainless
Steel Hose w/ Spring
& Spray Valve

Items Not Shown
For Clarity

3/8" NPT x 8" Riser

B-0107
1.42 GPM
Spray Valve



Finger
Hook

B-0109-01
6" Wall
Bracket

24 7/8"
[632mm]

EasyInstall Add-On
Faucet w/ Quarter-
Turn Eterna Cartridge
& Wrist Action Handle

7 3/4"
[196mm]

10 1/16"
[255mm]

12 3/4"
[324mm]

6"
[152mm]

Mounting Surface

Ø 2 1/4"
[57mm]

Quarter-Turn Eterna Cartridges
w/ Spring Checks & Wrist Action
Handles w/ Color Coded Indexes

18" Flexible Stainless
Steel Supply Hoses

Compression Fittings
for 5/8" Copper Tubing
(Remove Compression
Nut for 1/2" NPSM Male)

7 3/8"
[188mm]

1 3/8"
[35mm]
Maximum
Thickness

Rough-In Requirement:
Ø 1 1/2" [38mm] Mounting Hole

Product Specifications:

Pre-Rinse Unit: EasyInstall Single Hole Deck Mount Mixing Faucet, Quarter-Turn Eterna Cartridges w/ Spring Checks, 4" Wrist Action Handles, Add-On Faucet w/ 6" Swing Nozzle, Compact Spring, 24" Flexible Stainless Steel Hose, 1.42 GPM Spray Valve, 6" Wall Bracket & 18" Flexible Supply Hoses

Product Compliance:

ASME A112.18.1 / CSA B125.1
NSF 61 - Section 9
NSF 372 (Low Lead Content)
EPA Act 2005 (PRSV)



T&S BRASS AND BRONZE WORKS, INC.

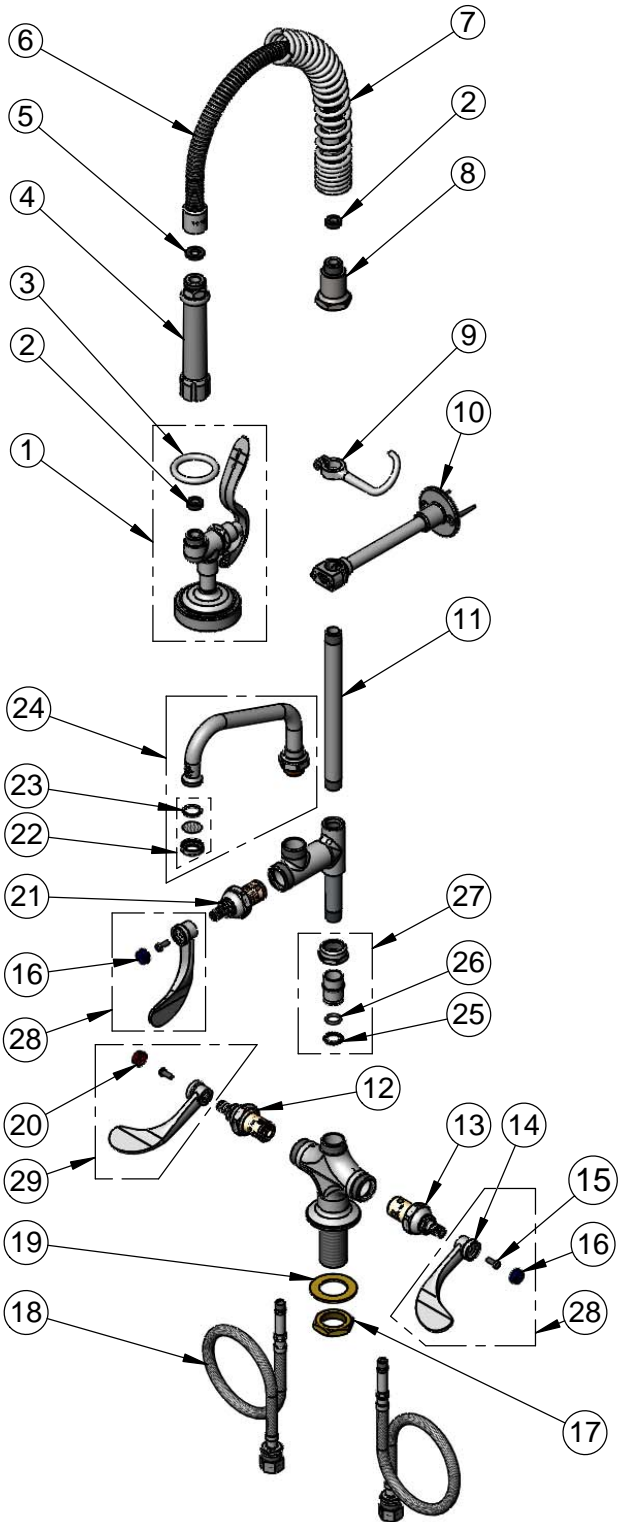
2 Saddleback Cove / P.O. Box 1088
Travelers Rest, SC 29690

Model No.

MPZ-2DWN-06

Item No.

Travelers Rest, SC: 800-476-4103 • Simi Valley, CA: 800-423-0150 • Fax: 864-834-3518 • www.tsbrass.com



| ITEM NO. | SALES NO. | DESCRIPTION |
|----------|-------------|---|
| 1 | B-0107 | 1.42 GPM Spray Valve |
| 2 | 010476-45 | #27 Washer |
| 3 | 000907-45 | Spray Valve Hold Down Ring |
| 4 | 002987-40 | Grip Handle |
| 5 | 001014-45 | Washer, B-0100 Hose Barrel |
| 6 | B-0024-H2A | 24" Stainless Steel Flex Hose, Less Handle |
| 7 | 016795-45 | Compact Spring |
| 8 | 000821-40 | Spring Body |
| 9 | 004R | Finger Hook |
| 10 | B-0109-01 | 6" Wall Bracket |
| 11 | 078X | 3/8" NPT x 8" Riser |
| 12 | 012443-40 | Quarter-Turn Eterna Cartridge, RTC w/ Spring Check |
| 13 | 012442-40 | Quarter-Turn Eterna Cartridge, LTC w/ Spring Check |
| 14 | B-WH4 | 4" Wrist Action Handle |
| 15 | 000925-45 | Lab Handle Screw |
| 16 | 001686-45 | Blue Index - CW |
| 17 | 000965-45 | Lock Nut |
| 18 | 012534-45 | 18" Flexible Supply Hose (2) |
| 19 | 002290-45 | Lock Washer |
| 20 | 001194-45 | Red Index - HW |
| 21 | 005960-40QT | Quarter-Turn Eterna Cartridge, RTC |
| 22 | B-PT | Stream Regulator Outlet |
| 23 | 001048-45 | Nozzle Tip Washer |
| 24 | 059X | 6" Swing Nozzle |
| 25 | 014200-45 | Star Washer, Anti-Rotation |
| 26 | 001065-45 | O-Ring |
| 27 | EZ-K | EasyInstall Kit: Nut, Bushing, O-Ring & Lock Washer |
| 28 | B-WH4C | 4" Wrist Action Handle, Screw & Cold Index |
| 29 | B-WH4H | 4" Wrist Action Handle, Screw & Hot Index |

Product Specifications:

Pre-Rinse Unit: EasyInstall Single Hole Deck Mount Mixing Faucet, Quarter-Turn Eterna Cartridges w/ Spring Checks, 4" Wrist Action Handles, Add-On Faucet w/ 6" Swing Nozzle, Compact Spring, 24" Flexible Stainless Steel Hose, 1.42 GPM Spray Valve, 6" Wall Bracket & 18" Flexible Supply Hoses

Product Compliance:

ASME A112.18.1 / CSA B125.1
NSF 61 - Section 9
NSF 372 (Low Lead Content)
EPA Act 2005 (PRSV)