



# T&S BRASS AND BRONZE WORKS, INC.

2 Saddleback Cove / P.O. Box 1088  
Travelers Rest, SC 29690

Model No.

**MPZ-2DLV-08-CR**

Item No.

Travelers Rest, SC: 800-476-4103 • Simi Valley, CA: 800-423-0150 • Fax: 864-834-3518 • www.tsbrass.com

This Space for Architect/Engineer Approval

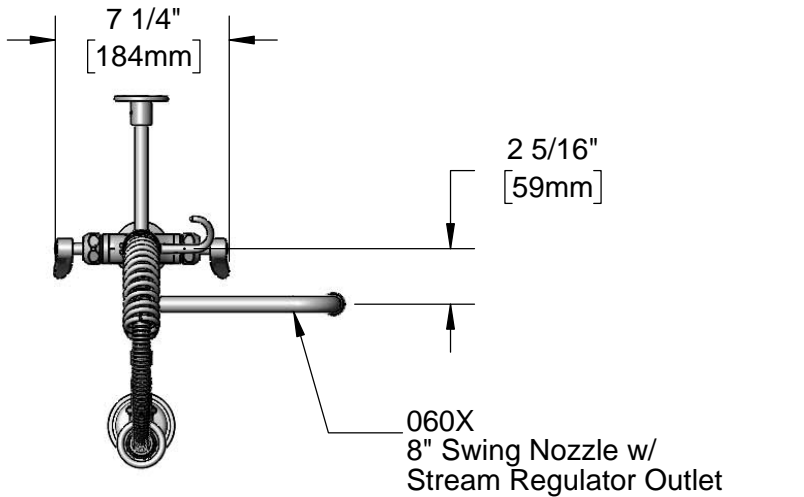
Job Name \_\_\_\_\_ Date \_\_\_\_\_

Model Specified \_\_\_\_\_ Quantity \_\_\_\_\_

Customer/Wholesaler \_\_\_\_\_

Contractor \_\_\_\_\_

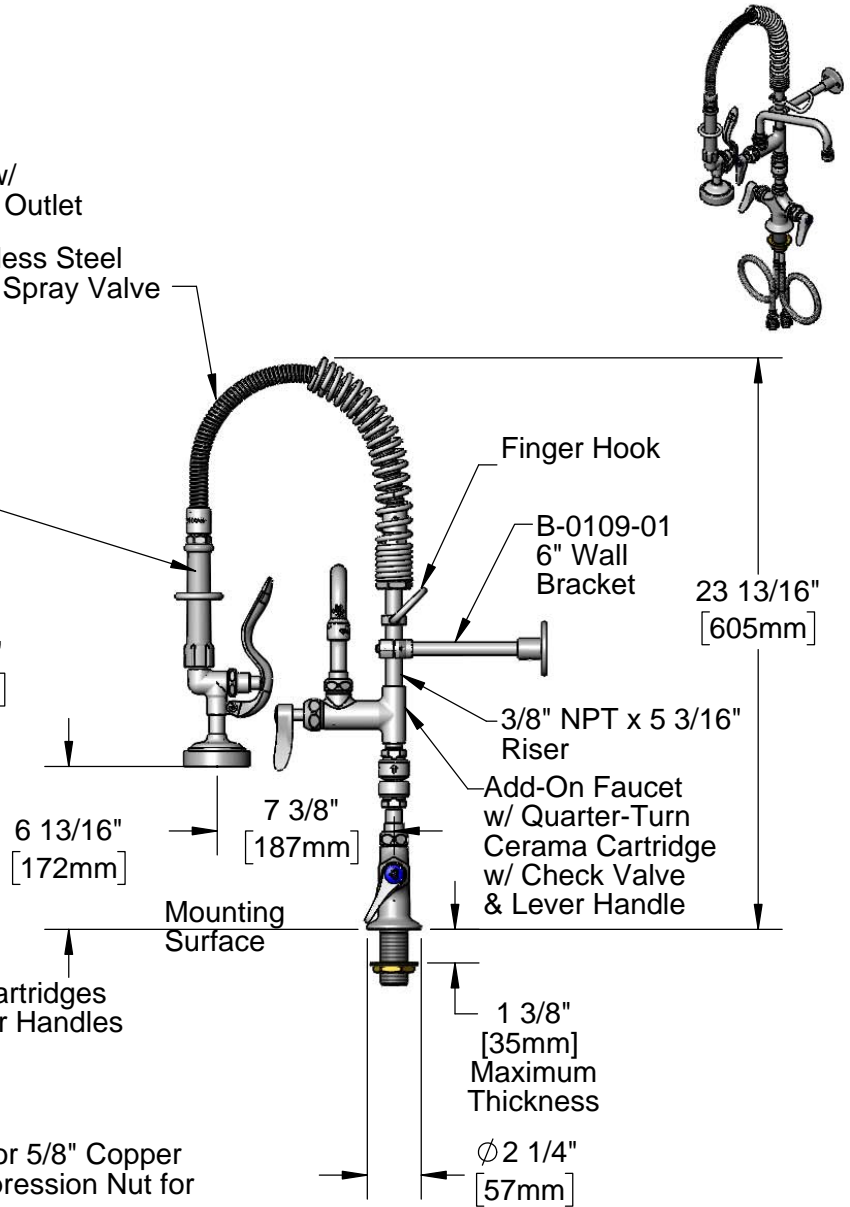
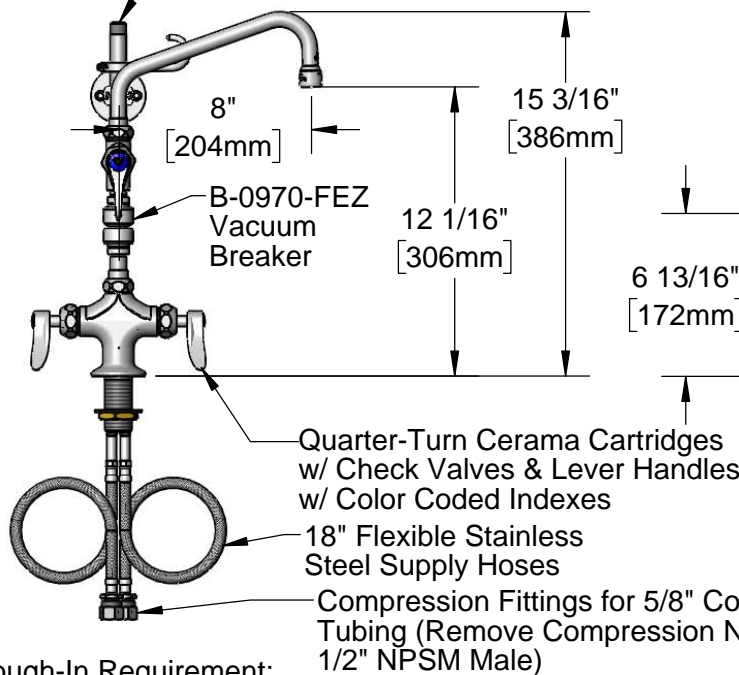
Architect/Engineer \_\_\_\_\_



24" Flexible Stainless Steel  
Hose w/ Spring & Spray Valve

Items Not Shown  
For Clarity

B-0107  
1.42 GPM  
Spray Valve



Rough-In Requirement:  
Ø 1 1/2" [38mm] Mounting Hole

Product Specifications:

EasyInstall Pre-Rinse Unit: Single Hole Deck Mount Mixing Faucet, Quarter-Turn Cerama Cartridges w/ Check Valves, Lever Handles, Add-On Faucet w/ 8" Swing Nozzle, Vacuum Breaker, Compact Spring, 24" Flexible Stainless Steel Hose, 1.42 GPM Low Spray Valve, 6" Wall Bracket & 18" Flexible Supply Hoses

Product Compliance:

ASME A112.18.1 / CSA B125.1  
NSF 61 - Section 9  
NSF 372 (Low Lead Content)  
EPA Act 2005 (PRSV)  
CSA B64.8 (VB)  
For Commercial Use Only



# T&S BRASS AND BRONZE WORKS, INC.

2 Saddleback Cove / P.O. Box 1088  
Travelers Rest, SC 29690

Model No.  
**MPZ-2DLV-08-CR**

Item No.

Travelers Rest, SC: 800-476-4103 • Simi Valley, CA: 800-423-0150 • Fax: 864-834-3518 • www.tsbrass.com

	ITEM NO.	SALES NO.	DESCRIPTION
	1	B-0107	1.42 GPM Spray Valve
	2	010476-45	#27 Washer
	3	000907-45	Spray Valve Hold Down Ring
	4	002987-40	Grip Handle
	5	001014-45	Washer, B-0100 Hose Barrel
	6	B-0024-H2A	24" Flexible Stainless Steel Hose, Less Handle
	7	016795-45	Compact Spring
	8	000821-40	Spring Body
	9	004R	Finger Hook
	10	B-0109-01	6" Wall Bracket
	11	001617-40	3/8" NPT x 5 3/16" Riser
	12	B-0970-FEZ	EasyInstall Vacuum Breaker
	13	EZ-K	EasyInstall Kit: Nut, Bushing, O-Ring & Lock Washer
	14	001065-45	O-Ring
	15	014200-45	Star Washer, Anti-Rotation
	16	012395-25NS	Quarter-Turn Cerama Cartridge w/ Check Valve, LTC
	17	001638-45NS	Lever Handle (New Style)
	18	018506-19NS	Blue Button Index, Press-in
	19	012447-25NS	Quarter-Turn Cerama Cartridge w/ Check Valve, Handle, Blue Index & Screw, LTC
	20	000965-45	Lock Nut
	21	012534-45	18" Flexible Supply Hose (2)
	22	002290-45	Lock Washer
	23	012394-25NS	Quarter-Turn Cerama Cartridge w/ Check Valve, RTC
	24	000925-45	Lab Handle Screw
	25	012446-25NS	Quarter-Turn Cerama Cartridge w/ Check Valve, Handle, Red Index & Screw, RTC
	26	001193-19NS	Red Button Index, Press-in
	27	B-PT	Stream Regulator Outlet
	28	060X	8" Swing Nozzle

**Product Specifications:**  
EasyInstall Pre-Rinse Unit: Single Hole Deck Mount Mixing Faucet, Quarter-Turn Cerama Cartridges w/ Check Valves, Lever Handles, Add-On Faucet w/ 8" Swing Nozzle, Vacuum Breaker, Compact Spring, 24" Flexible Stainless Steel Hose, 1.42 GPM Low Spray Valve, 6" Wall Bracket & 18" Flexible Supply Hoses

**Product Compliance:**  
ASME A112.18.1 / CSA B125.1  
NSF 61 - Section 9  
NSF 372 (Low Lead Content)  
EPA Act 2005 (PRSV)  
CSA B64.8 (VB)  
For Commercial Use Only